



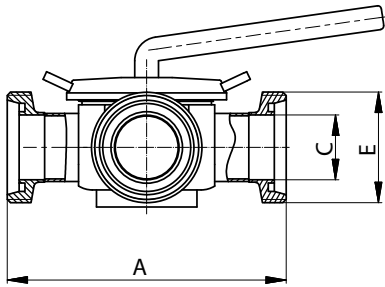
**CROMO-STAL**<sup>®</sup>  
STAL NIERDZEWNE

ZAWORY SPOŻYWCZE  
DAIRY VALVES AND COCKS

Zawór stożkowy trójdrożny G - G - G  
Three way cock G - G - G

**40110**

**Wymiary • Dimensions**

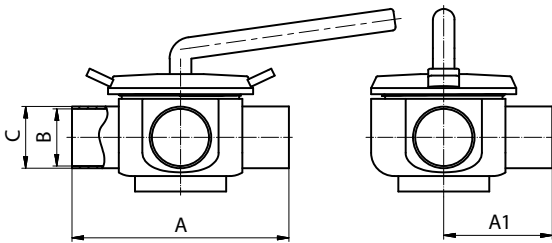


DN	A	C	E	D	E	F	R	L	G DIN 405 Rd x s	kg
40	160	38	65x1/6"						65x1/6"	
50	192	50	78x1/6"						78x1/6"	

Zawór stożkowy trójdrożny S - S - S  
Three way cock S - S - S

**40111**

**Wymiary • Dimensions**

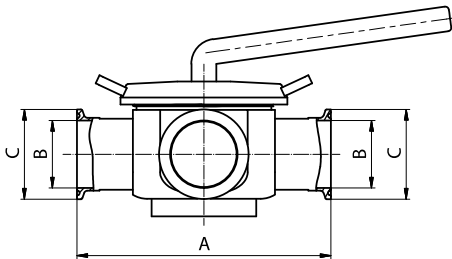


DN	A	A1	B	C	E	F	R	L	G DIN 405 Rd x s	kg
40	140,5	70,2	38	41						
50	185,5	92,8	50	53						

Zawór stożkowy trójdrożny C - C - C  
Three way cock C - C - C

**40119**

**Wymiary • Dimensions**

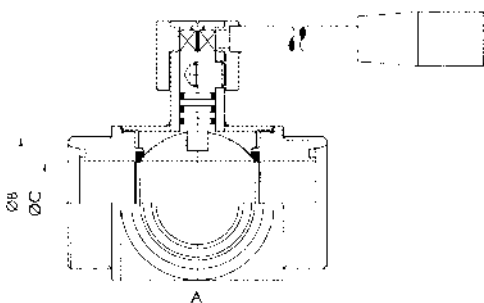


DN	A	B	C	D	E	F	R	L	G DIN 405 Rd x s	kg
40	165,9	38	50,5							
50	210,9	50	64							

Zawór kulowy trójdrożny G - G - G  
Three way ball valve G - G - G

**40210**

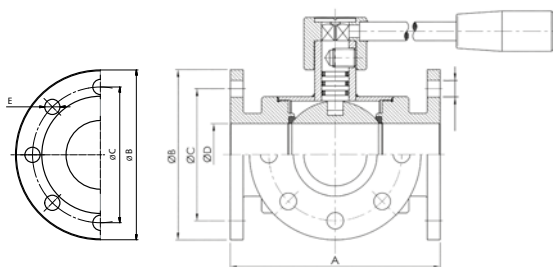
**Wymiary • Dimensions**



DN	A	B	C	E	E	F	R	L	G DIN 405 Rd x s	kg
25	136	52x1/6"	25						52x1/6"	
32	138	58x1/6"	31						58x1/6"	
40	158	65x1/6"	37						65x1/6"	
50	170	78x1/6"	49						78x1/6"	
65	204	95x1/6"	66						95x1/6"	
80	130	110x1/4"	81						110x1/4"	
100	264	130x1/4"	100						130x1/4"	
125	346	160x1/4"	120						160x1/4"	

Zawór kulowy trójdrożny PN - PN - PN  
Three way ball valve PN - PN - PN

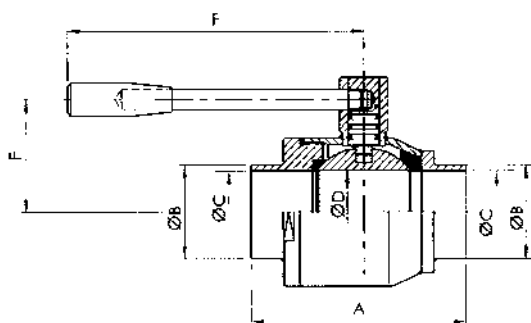
**40240** Wymiary • Dimensions



DN	A	B	C	D	E	F	R	L	G DIN 405 Rd x s	kg
25	150	115	85	25	14x4					
32	180	140	100	31	18x4					
40	200	150	110	37	18x4					
50	220	165	125	49	18x4					
65	240	185	145	66	18x4					
80	260	200	160	81	18x8					
100	300	220	180	100	18x8					
125	380	250	210	120	18x8					

Zawór kulowy S - S  
Straight way ball valve S - S

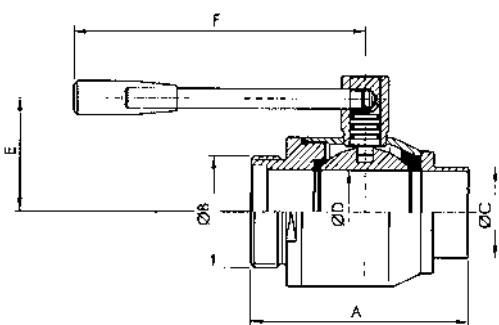
**40510** Wymiary • Dimensions



DN	A	B	C	D	E	F	R	L	G DIN 405 Rd x s	kg
15	78	21	16	16	40	90				
20	78	25	20	19	40	90				
25	84	31	26	24	44	146				
32	106	37	32	33	50	146				
40	124	43	40	40	64	185				
50	134	55	49	49,5	68	185				
65	145	72	65	65	95	243				
80	179	87	79	79	104	243				
100	205	106	99	99	122	273				
125	225	132	119	119	135	273				

Zawór kulowy G - S  
Straight way ball valve G - S

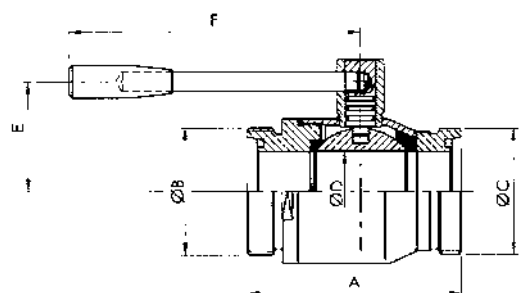
**40520** Wymiary • Dimensions



DN	A	B	C	D	E	F	R	L	G DIN 405 Rd x s	kg
25	86	52x1/6"	31	24	44	146			52x1/6"	
32	104	58x1/6"	37	33	50	146			58x1/6"	
40	125	65x1/6"	43	40	64	185			65x1/6"	
50	134	78x1/6"	55	49,5	68	185			78x1/6"	
65	145	95x1/6"	72	65	95	243			95x1/6"	
80	179	110x1/4"	87	79	104	243			110x1/4"	
100	205	130x1/4"	106	99	122	273			130x1/4"	
125	225	160x1/4"	132	119	135	273			160x1/4"	

Zawór kulowy G - G  
Straight way ball valve G - G

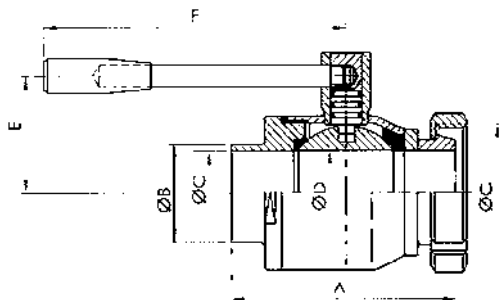
**40530** Wymiary • Dimensions



DN	A	B/C	D	E	F	F	R	L	G DIN 405 Rd x s	kg
25	89	52x1/6"	24	44	146				52x1/6"	
32	113	58x1/6"	33	50	146				58x1/6"	
40	124	65x1/6"	40	64	185				65x1/6"	
50	134	78x1/6"	49,5	68	185				78x1/6"	
65	146	95x1/6"	65	95	243				95x1/6"	
80	179	110x1/4"	79	104	243				110x1/4"	
100	205	130x1/4"	99	122	273				130x1/4"	
125	225	160x1/4"	119	135	273				160x1/4"	

Zawór kulowy K/M - S  
Straight way ball valve K/M - S

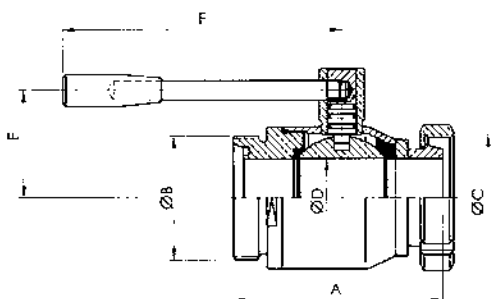
**40540** Wymiary • Dimensions



DN	A	B	C	D	E	F	R	L	G DIN 405 Rd x s	kg
25	89	31	52x1/6"	24	44	146			52x1/6"	
32	120	37	58x1/6"	33	50	146			58x1/6"	
40	128	43	65x1/6"	40	64	185			65x1/6"	
50	140	55	78x1/6"	49,5	68	185			78x1/6"	
65	152	72	95x1/6"	65	95	243			95x1/6"	
80	190	87	110x1/4"	79	104	243			110x1/4"	
100	221	106	130x1/4"	99	122	273			130x1/4"	
125	259	132	160x1/4"	119	135	273			160x1/4"	

Zawór kulowy K/M - G  
Straight way ball valve K/M - G

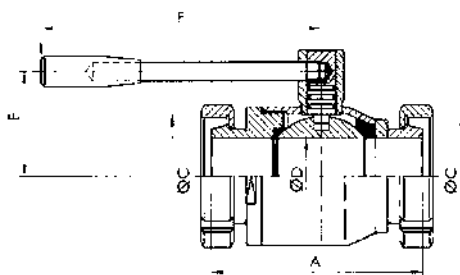
**40550** Wymiary • Dimensions



DN	A	B/C	D	E	F	G	R	L	G DIN 405 Rd x s	kg
25	92	52x1/6"	24	44	146				52x1/6"	
32	118	58x1/6"	33	50	146				58x1/6"	
40	128	65x1/6"	40	64	185				65x1/6"	
50	140	78x1/6"	49,5	68	185				78x1/6"	
65	152	95x1/6"	65	95	243				95x1/6"	
80	190	110x1/4"	79	104	243				110x1/4"	
100	221	130x1/4"	99	122	273				130x1/4"	
125	259	160x1/4"	119	135	273				160x1/4"	

Zawór kulowy K/M - K/M  
Straight way ball valve K/M - K/M

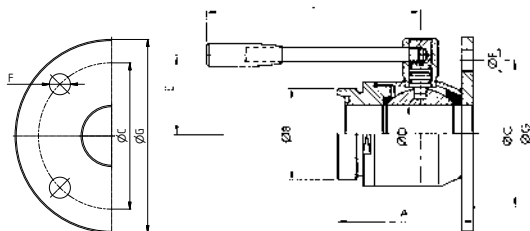
**40560** Wymiary • Dimensions



DN	A	C	D	E	F	F	R	L	G DIN 405 Rd x s	kg
25	92	52x1/6"	24	44	146				52x1/6"	
32	123	58x1/6"	33	50	146				58x1/6"	
40	131	65x1/6"	40	64	185				65x1/6"	
50	143	78x1/6"	49,5	68	185				78x1/6"	
65	160	95x1/6"	65	95	243				95x1/6"	
80	190	110x1/4"	79	104	243				110x1/4"	
100	235	130x1/4"	99	122	273				130x1/4"	
125	259	160x1/4"	119	135	273				160x1/4"	

Zawór kulowy PN - G  
Straight way ball valve PN - G

**40570** Wymiary • Dimensions

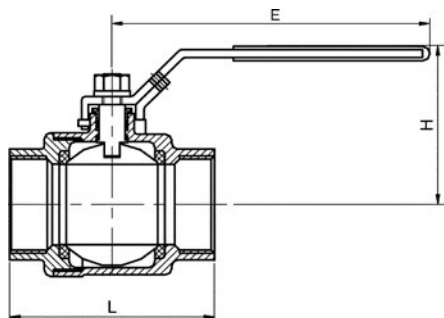


DN	A	B	C	D	E	F	G	L	G DIN 405 Rd x s	kg
25	86	52x1/6"	85	24	44	14x4	115	146	52x1/6"	
32	104	58x1/6"	100	33	50	18x4	140	146	58x1/6"	
40	107	65x1/6"	110	40	64	18x4	150	185	65x1/6"	
50	117	78x1/6"	125	49,5	68	18x4	165	185	78x1/6"	
65	141	95x1/6"	145	65	95	18x4	185	243	95x1/6"	
80	156	110x1/4"	160	79	104	18x4	200	243	110x1/4"	
100	181	130x1/4"	180	99	122	18x8	220	273	130x1/4"	
125	201	160x1/4"	210	119	135	18x8	250	273	160x1/4"	



Zawór kulowy 2-częściowy GW - GW  
Two pieces ball cock GW - GW

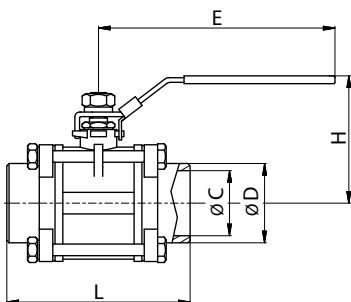
**40640** Wymiary • Dimensions



DN	L	E	H	D	E	F	R	L	G DIN 405 Rd x s	kg
1/4"	52	90	55							
3/8"	52	90	55							
1/2"	55	105	55							
3/4"	65	115	60							
1"	72	120	70							
1 1/4"	83	145	75							
1 1/2"	95	175	90							
2"	110	175	100							
2 1/2"	144	210	130							
3"	170	230	140							
4"	202	300	165							

Zawór kulowy 3-częściowy S - S  
Three pieces ball cock S - S

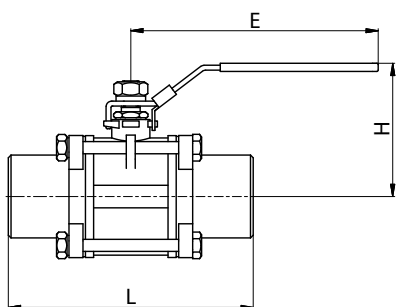
**40650** Wymiary • Dimensions



DN	L	E	H	C	D	F	R	L	G DIN 405 Rd x s	kg
8	63	95	46	11	17					
10	63	95	50	12	17					
15	75	103	56	15	21,3					
20	80	118	66	20	26,7					
25	90	135	72	25	33,4					
32	110	135	83	32	42,2					
40	120	160	88	38	48,3					
50	140	173	100	50	60,3					
65	165	216	127	65	74					
80	202	232	138	80	91					
100	252	330	171	100	110					

Zawór kulowy 3-częściowy do spawania  
orbitalnego S - S  
Three pieces ball cock S - S  
for orbital welding

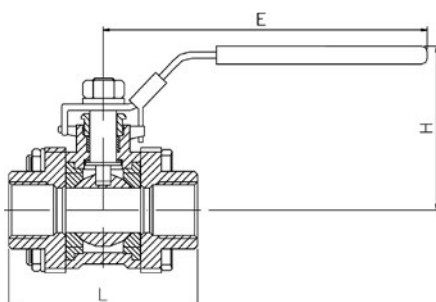
**40660** Wymiary • Dimensions



DN	L	E	H	C	D	F	R	G	G DIN 405 Rd x s	kg
8	100	95	46	11	17					
10	100	95	50	12	17					
15	125	103	56	15	21,3					
20	130	118	66	20	26,7					
25	140	135	72	25	33,4					
32	168	135	83	32	42,2					
40	178	160	88	38	48,3					
50	200	173	100	50	60,3					
65	245	216	127	65	74					
80	282	232	138	80	91					
100	332	330	171	100	110					

Zawór kulowy 3-częściowy GW - GW  
Three pieces ball cock GW - GW

**40670** Wymiary • Dimensions



DN	L	E	H	D	E	F	R	G	G DIN 405 Rd x s	kg
1/4"	51	95	46							
3/8"	65	95	50							
1/2"	74	103	56							
3/4"	70	118	66							
1"	89	135	72							
1 1/4"	108	135	83							
1 1/2"	108	160	88							
2"	140	173	100							
2 1/2"	168	216	127							
3"	190	232	138							
4"	240	330	171							

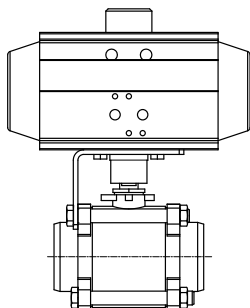
Zawór kulowy 3-częściowy S - S z AT SR 4405 (lub DA 4410)  
Three pieces ball cock S - S with AT SR 4405 (or DA 4410)

**4065 P05**

**Wymiary • Dimensions**

**4065 P10**

DN	A	B	C	L	G DIN 405 Rd x s	kg
10						
15						
20						
25						
32						
40						
50						
65						
80						
100						

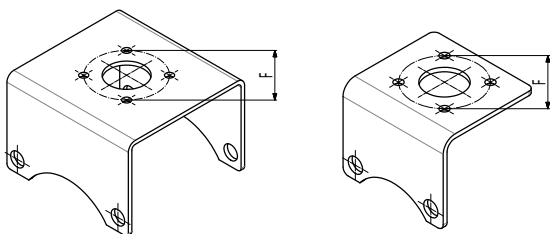


Uchwyt do siłownika  
Bracket

**40770**

**Wymiary • Dimensions**

DN	A	D	L	G DIN 405 Rd x s	kg
10	F04				
15	F04				
20	F04				
25	F04				
32	F04/F05				
40	F05				
50	F07				
65	F07				
80	F07				
100	F07				



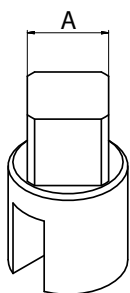
Adapter do głowicy zaworu kulowego  
Catch driver for 3-pieces ball cock

**40780**

**Wymiary • Dimensions**

**43940**

A	B	C	D	L	G DIN 405 Rd x s	kg
11x11						
14x14						
17x17						
22x22						

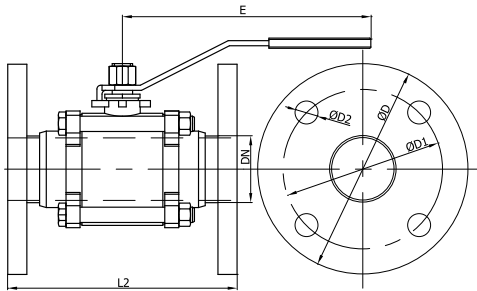


### Three pieces ball cock PN - PN

Zawór kulowy 3-częściowy PN - PN  
Three pieces ball cock PN - PN

**4074 PN10**  
**(2070)**

**Wymiary • Dimensions**



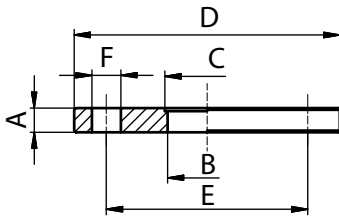
DN	D	D1	D2	L2	E	H	A	B	G DIN 405 Rd x s	kg
25	115	85	14x4	162	135	72				
32	140	100	18x4	186	135	83				
40	150	110	18x4	200	160	88				
50	165	125	18x4	226	173	100				
65	185	145	18x4	251	216	127				
80	200	160	18x8	301	232	138				
100	220	180	18x8	351	330	171				

Kołnierz PN 10  
Flange PN 10

DIN 2576

**20700**

**Wymiary • Dimensions**

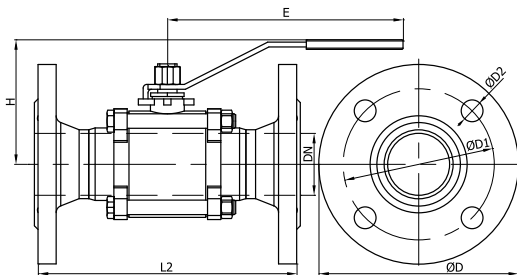


DN	A	B	C	D	E	F	G	L	G DIN 405 Rd x s	kg
10	14	10	12,2	90	60	14x4				
15	14	16	18,2	95	65	14x4				
20	16	20	22,2	105	75	14x4				
25	16	26	28,2	115	85	14x4				
32	16	32	34,2	140	100	18x4				
40	16	38	40,2	150	110	18x4				
50	18	50	52,2	165	125	18x4				
65	18	66	70,3	185	145	18x4				
80	20	81	85,3	200	160	18x8				
100	20	100	104,3	220	180	18x8				
125	22	125	129,5	250	210	18x8				
150	22	150	154,5	285	240	22x8				

Zawór kulowy 3-częściowy PN - PN  
Three pieces ball cock PN - PN

**4074 PN16**  
**(2073)**

**Wymiary • Dimensions**

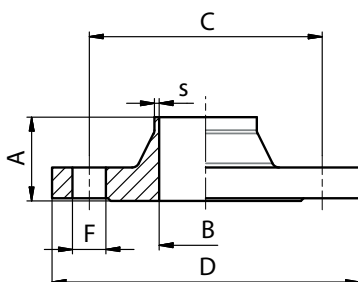


DN	D	D1	D2	L2	E	H	A	B	G DIN 405 Rd x s	kg
25	115	85	14x4	162	135	72				
32	140	100	18x4	186	135	83				
40	150	110	18x4	200	160	88				
50	165	125	18x4	226	173	100				
65	185	145	18x4	251	216	127				
80	200	160	18x8	301	232	138				
100	220	180	18x8	351	330	171				

Kołnierz PN 16  
Flange PN 16

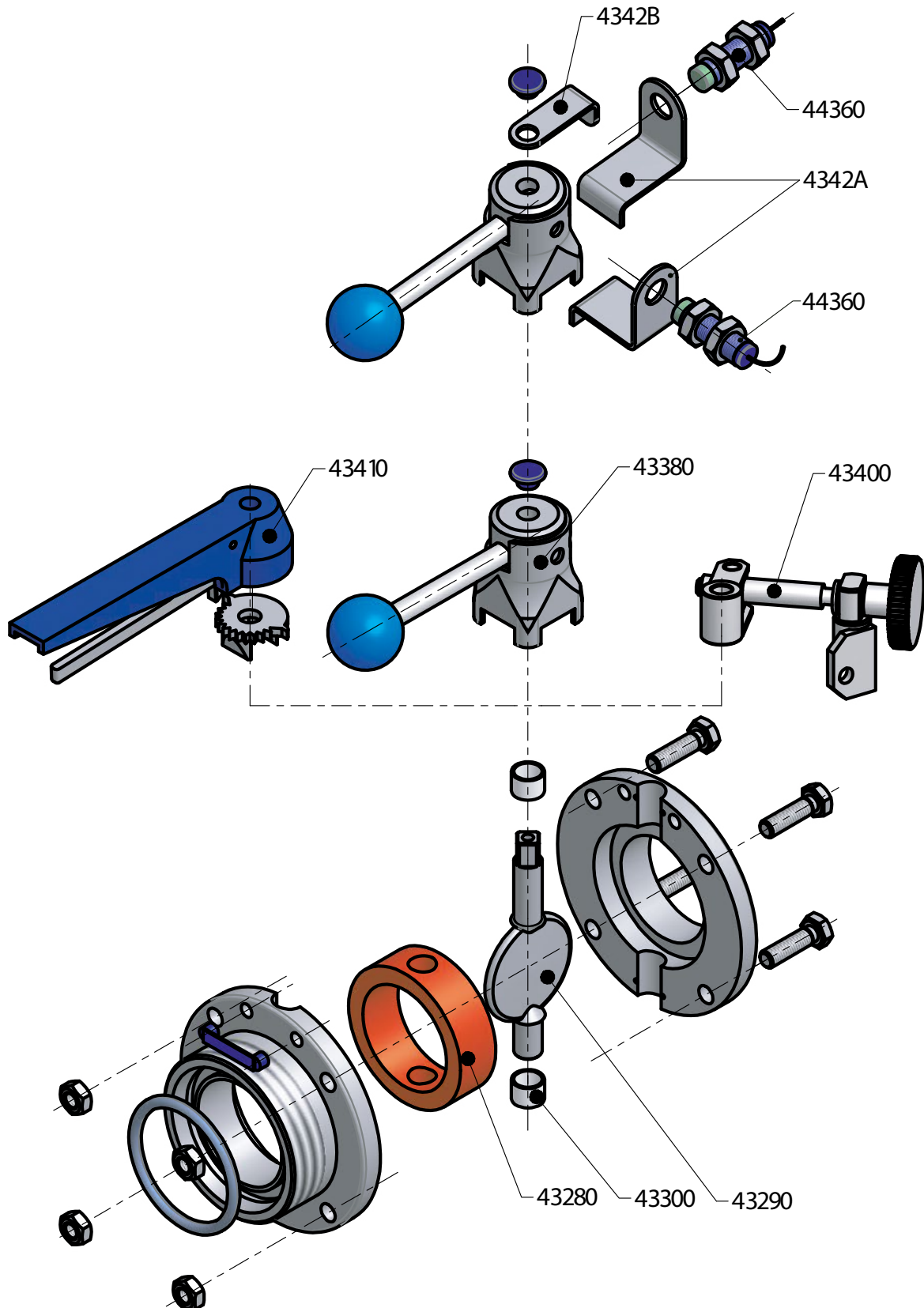
**20730**

**Wymiary • Dimensions**



DN	A	B	C	D	F	s	K	L	G DIN 405 Rd x s	kg
10	35	10	60	90	14x4	1,5				
15	35	16	65	95	14x4	1,5				
20	38	20	75	105	14x4	1,5				
25	38	26	85	115	14x4	1,5				
32	40	32	100	140	18x4	1,5				
40	42	38	110	150	18x4	1,5				
50	45	50	125	165	18x4	1,5				
65	45	66	145	185	18x4	2				
80	50	81	160	200	18x8	2				
100	52	100	180	220	18x8	2				
125	55	125	210	250	18x8	2				
150	55	150	240	285	22x8	2				

Zawór motylkowy - warianty kontroli i sygnalizacji  
Butterfly valve - variants control and signaling

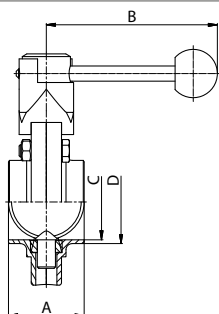




Zawór motylkowy S - S  
Butterfly valve S - S

**43010**

**Wymiary • Dimensions**

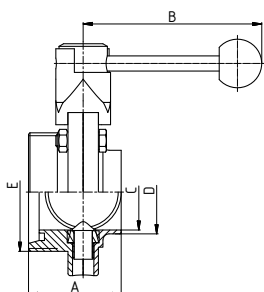


DN	A	B	C	D	E	F	R	L	G DIN 405 Rd x s	kg
15	50	110	15	18						
20	50	110	19	22						
25	40	114	26	31						
32	42	114	32	37						
40	50	140	38	43						
50	50	140	50	55						
65	50	140	66	72						
80	60	174	81	87						
100	64	174	100	106						
125	100	210	125	138						
150	100	210	150	164						

Zawór motylkowy G - S  
Butterfly valve G - S

**43020**

**Wymiary • Dimensions**

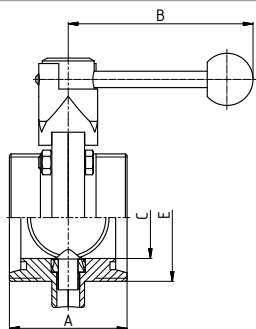


DN	A	B	C	D	E	F	R	L	G DIN 405 Rd x s	kg
15	58	110	15	18	34x1/8"				34x1/8"	
20	58	110	19	22	44x1/6"				44x1/6"	
25	52	114	26	31	52x1/6"				52x1/6"	
32	53	114	32	37	58x1/6"				58x1/6"	
40	61	140	38	43	65x1/6"				65x1/6"	
50	61	140	50	55	78x1/6"				78x1/6"	
65	63	140	66	72	95x1/6"				95x1/6"	
80	80	174	81	87	110x1/4"				110x1/4"	
100	84	174	100	106	130x1/4"				130x1/4"	
125	106	210	125	138	160x1/4"				160x1/4"	
150	112	210	150	164	190x1/4"				190x1/4"	

Zawór motylkowy G - G  
Butterfly valve G - G

**43030**

**Wymiary • Dimensions**

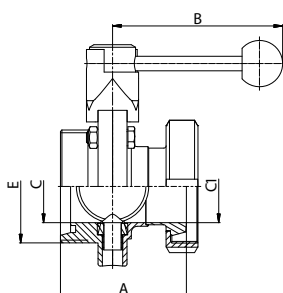


DN	A	B	C	E	F	F	R	L	G DIN 405 Rd x s	kg
15	66	110	15	34x1/8"					34x1/8"	
20	66	110	19	44x1/6"					44x1/6"	
25	64	114	26	52x1/6"					52x1/6"	
32	64	114	32	58x1/6"					58x1/6"	
40	72	140	38	65x1/6"					65x1/6"	
50	72	140	50	78x1/6"					78x1/6"	
65	76	140	66	95x1/6"					95x1/6"	
80	100	174	81	110x1/4"					110x1/4"	
100	104	174	100	130x1/4"					130x1/4"	
125	112	210	125	160x1/4"					160x1/4"	
150	124	210	150	190x1/4"					190x1/4"	

Zawór motylkowy K/M - G  
Butterfly valve K/M - G

**43040**

**Wymiary • Dimensions**

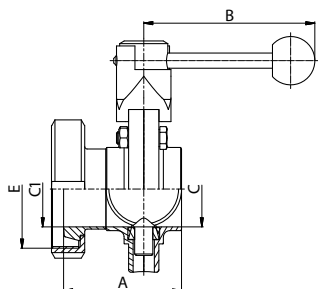


DN	A	B	C	C1	E	R	L	G DIN 405 Rd x s	kg
15	73	110	15	16	38x1/8"			38x1/8"	
20	74	110	19	20	44x1/6"			44x1/6"	
25	74	114	26	26	52x1/6"			52x1/6"	
32	78	114	32	32	58x1/6"			58x1/6"	
40	87	140	38	38	65x1/6"			65x1/6"	
50	89	140	50	50	78x1/6"			78x1/6"	
65	95	140	66	66	95x1/6"			95x1/6"	
80	117	174	81	81	110x1/4"			110x1/4"	
100	128	174	100	100	130x1/4"			130x1/4"	
125	138	210	125	125	160x1/4"			160x1/4"	
150	147	210	150	150	190x1/4"			190x1/4"	

Zawór motylkowy K/M - S  
Butterfly valve K/M - S

**43050**

**Wymiary • Dimensions**

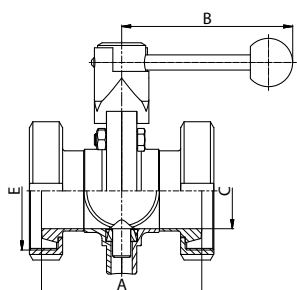


DN	A	B	C	C1	E	R	L	Rd x s	kg
15	65	110	15	16	34x1/8"			34x1/8"	
20	66	110	19	20	44x1/6"			44x1/6"	
25	60	114	26	26	52x1/6"			52x1/6"	
32	65	114	32	32	58x1/6"			58x1/6"	
40	74	140	38	38	65x1/6"			65x1/6"	
50	76	140	50	50	78x1/6"			78x1/6"	
65	80	140	66	66	95x1/6"			95x1/6"	
80	95	174	81	81	110x1/4"			110x1/4"	
100	106	174	100	100	130x1/4"			130x1/4"	
125	132	210	125	125	160x1/4"			160x1/4"	
150	135	210	150	150	190x1/4"			190x1/4"	

Zawór motylkowy K/M - K/M  
Butterfly valve K/M - K/M

**43060**

**Wymiary • Dimensions**

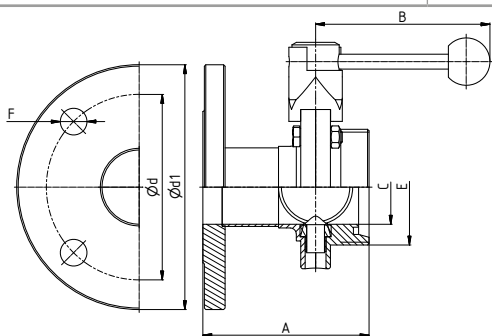


DN	A	B	C	E	F	G	R	L	Rd x s	kg
15	80	110	16	38x1/8"					38x1/8"	
20	82	110	20	44x1/6"					44x1/6"	
25	80	114	26	52x1/6"					52x1/6"	
32	88	114	32	58x1/6"					58x1/6"	
40	98	140	38	65x1/6"					65x1/6"	
50	102	140	50	78x1/6"					78x1/6"	
65	110	140	66	95x1/6"					95x1/6"	
80	130	174	81	110x1/4"					110x1/4"	
100	148	174	100	130x1/4"					130x1/4"	
125	164	210	125	160x1/4"					160x1/4"	
150	170	210	150	190x1/4"					190x1/4"	

Zawór motylkowy PN - G  
Butterfly valve PN - G

**4307B**

**Wymiary • Dimensions**

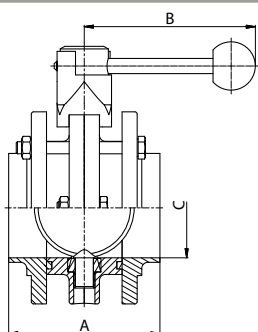


DN	A	B	C	E	d	d1	F	L	G DIN 405 Rd x s	kg
25	106	114	26	52x1/6"	85x4	115	14		52x1/6"	
32	106	114	32	58x1/6"	100x4	140	18		58x1/6"	
40	110	140	38	65x1/6"	110x4	150	18		65x1/6"	
50	112	140	50	78x1/6"	125x4	165	18		78x1/6"	
65	122	140	66	95x1/6"	145x4	185	18		95x1/6"	
80	135	174	81	110x1/4"	160x8	200	18		110x1/4"	
100	140	174	100	130x1/4"	180x8	220	18		130x1/4"	

Zawór motylkowy PN - PN  
Butterfly valve PN - PN

**43080**

**Wymiary • Dimensions**

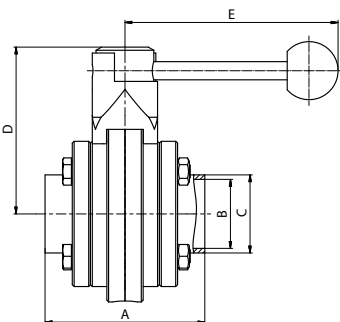


DN	A	B	C	E	F	F	R	L	Rd x s	kg
25	84	114	26							
32	86	114	32							
40	100	140	38							
50	100	140	50							
65	100	140	66							
80	120	174	81							
100	146	174	100							
125	168	210	125							
150	188	210	150							

Zawór motylkowy kołnierzowy S - S  
Compact flange butterfly valve S - S

**43081**

**Wymiary • Dimensions**

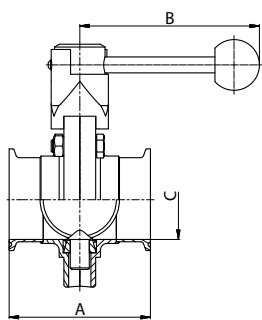


DN	A	B	C	D	E	F	R	L	G DIN 405 Rd x s	kg
25	78	26	31	87	117					
32	78	32	37	90	117					
40	88	38	43	92	126					
50	88	50	53	98,5	126					
65	88	66	72	107,5	126					
80	120	81	87	120	153					
100	124	100	106	130	153					
125	140	125	132	160	205					
150	160	150	157	175	205					

Zawór motylkowy C - C  
Butterfly valve C - C

**43090**

**Wymiary • Dimensions**

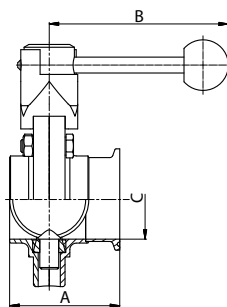


DN	A	B	C	D	E	F	R	L	G DIN 405 Rd x s	kg
25	64	114	26							
32	72	114	32							
40	72	140	38							
50	72	140	50							
65	80	140	66							
80	84	174	81							
100	102	174	100							

Zawór motylkowy S - C  
Butterfly valve S - C

**43101**

**Wymiary • Dimensions**

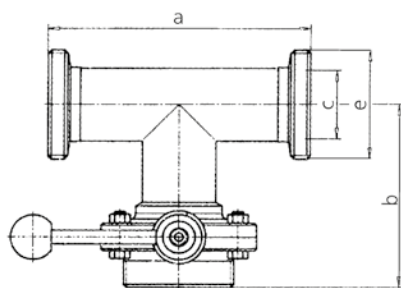


DN	A	B	C	D	E	F	R	L	G DIN 405 Rd x s	kg
25	59,5	114	26							
32	61,5	114	32							
40	69,5	140	38							
50	69,5	140	50							
65	76	140	66							
80	86	174	81							
100	90	174	100							
125	126	210	125							
150	126	210	150							

Zawór motylkowy na trójniku G - G - G  
Tee with one butterfly valve G - G - G

**43110**

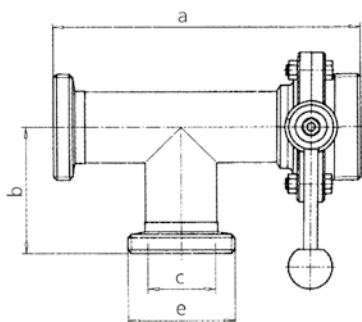
**Wymiary • Dimensions**



DN	A	B	C	E	F	F	R	L	G DIN 405 Rd x s	kg
25	144	100	26	52x1/6"					52x1/6"	
32	154	106	32	58x1/6"					58x1/6"	
40	164	119	38	65x1/6"					65x1/6"	
50	186	127	50	78x1/6"					78x1/6"	
65	210	141	66	95x1/6"					95x1/6"	
80	230	168	81	110x1/4"					110x1/4"	
100	260	182	100	130x1/4"					130x1/4"	
125	446	291,5	125	160x1/4"					160x1/4"	
150	530	335	150	190x1/4"					190x1/4"	

Zawór motylkowy na trójniku G - G - G  
Tee with one butterfly valve G - G - G

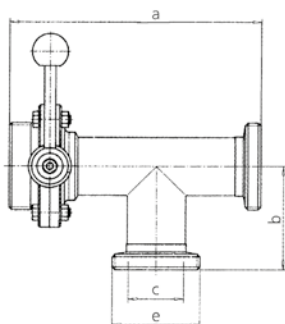
### 43120 Wymiary • Dimensions



DN	A	B	C	E	F	G	R	L	G DIN 405 Rd x s	kg
25	172	72	26	52x1/6"					52x1/6"	
32	183	77	32	58x1/6"					58x1/6"	
40	201	82	38	65x1/6"					65x1/6"	
50	222	93	50	78x1/6"					78x1/6"	
65	146	105	66	95x1/6"					95x1/6"	
80	283	115	81	110x1/4"					110x1/4"	
100	312	130	100	130x1/4"					130x1/4"	
125	514,5	223	125	160x1/4"					160x1/4"	
150	600	265	150	190x1/4"					190x1/4"	

Zawór motylkowy na trójniku G - G - G  
Tee with one butterfly valve G - G - G

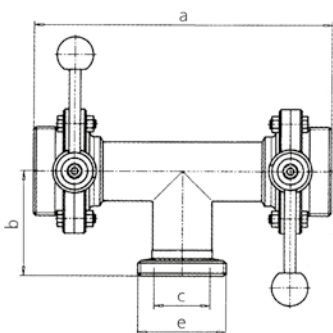
### 43130 Wymiary • Dimensions



DN	A	B	C	E	F	G	R	L	G DIN 405 Rd x s	kg
25	172	72	26	52x1/6"					52x1/6"	
32	183	77	32	58x1/6"					58x1/6"	
40	201	82	38	65x1/6"					65x1/6"	
50	222	93	50	78x1/6"					78x1/6"	
65	146	105	66	95x1/6"					95x1/6"	
80	283	115	81	110x1/4"					110x1/4"	
100	312	130	100	130x1/4"					130x1/4"	
125	514,5	223	125	160x1/4"					160x1/4"	
150	600	265	150	190x1/4"					190x1/4"	

Zawór motylkowy na trójniku G - G - G  
Tee with one butterfly valve G - G - G

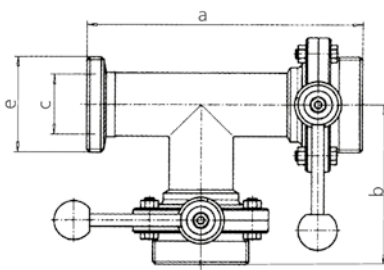
### 43140 Wymiary • Dimensions



DN	A	B	C	E	F	G	R	L	G DIN 405 Rd x s	kg
25	200	72	26	52x1/6"					52x1/6"	
32	212	77	32	58x1/6"					58x1/6"	
40	238	82	38	65x1/6"					65x1/6"	
50	258	93	50	78x1/6"					78x1/6"	
65	282	105	66	95x1/6"					95x1/6"	
80	336	115	81	110x1/4"					110x1/4"	
100	364	130	100	130x1/4"					130x1/4"	
125	583	223	125	160x1/4"					160x1/4"	
150	670	265	150	190x1/4"					190x1/4"	

Zawór motylkowy na trójniku G - G - G  
Tee with one butterfly valve G - G - G

### 43150 Wymiary • Dimensions

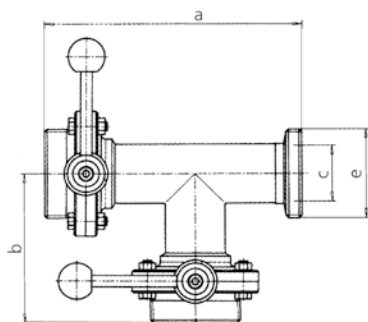


DN	A	B	C	E	F	G	R	L	G DIN 405 Rd x s	kg
25	172	100	26	52x1/6"					52x1/6"	
32	183	106	32	58x1/6"					58x1/6"	
40	201	119	38	65x1/6"					65x1/6"	
50	222	127	50	78x1/6"					78x1/6"	
65	246	141	66	95x1/6"					95x1/6"	
80	283	168	81	110x1/4"					110x1/4"	
100	312	182	100	130x1/4"					130x1/4"	
125	514,5	291,5	125	160x1/4"					160x1/4"	
150	600	335	150	190x1/4"					190x1/4"	

Zawór motylkowy na trójniku G - G - G  
Tee with one butterfly valve G - G - G

**43160**

**Wymiary • Dimensions**

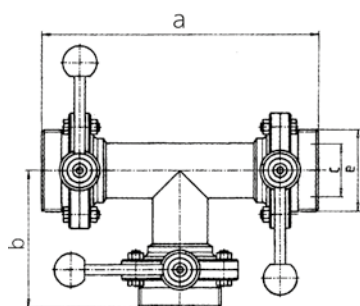


DN	A	B	C	E	E	F	R	L	G DIN 405 Rd x s	kg
25	172	100	26	52x1/6"					52x1/6"	
32	183	106	32	58x1/6"					58x1/6"	
40	201	119	38	65x1/6"					65x1/6"	
50	222	127	50	78x1/6"					78x1/6"	
65	246	141	66	95x1/6"					95x1/6"	
80	283	168	81	110x1/4"					110x1/4"	
100	312	182	100	130x1/4"					130x1/4"	
125	514,5	291,5	125	160x1/4"					160x1/4"	
150	600	335	150	190x1/4"					190x1/4"	

Zawór motylkowy na trójniku G - G - G  
Tee with one butterfly valve G - G - G

**43170**

**Wymiary • Dimensions**

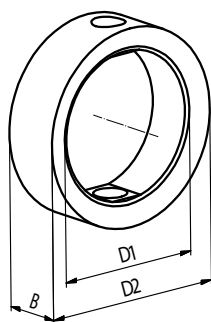


DN	A	B	C	E	F	F	R	L	G DIN 405 Rd x s	kg
25	200	100	26	52x1/6"					52x1/6"	
32	212	106	32	58x1/6"					58x1/6"	
40	238	119	38	65x1/6"					65x1/6"	
50	258	127	50	78x1/6"					78x1/6"	
65	282	141	66	95x1/6"					95x1/6"	
80	336	168	81	110x1/4"					110x1/4"	
100	364	182	100	130x1/4"					130x1/4"	
125	583	291,5	125	160x1/4"					160x1/4"	
150	670	335	150	190x1/4"					190x1/4"	

Uszczelka do zaworu motylkowego  
Gasket for butterfly valve

**43280**

**Wymiary • Dimensions**

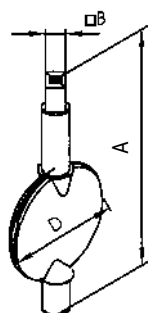


DN	D1	D2	B	C	E	F	R	L	G DIN 405 Rd x s	kg
25	26	40	20							
32	32	48	20							
40	38	54	21							
50	51	67	21							
65	67	85	22							
80	82	101	24							
100	101	116	26							
125	125	151	29							
150	150	175	29							

Kłapka do zaworu motylkowego  
Butterfly disc

**43290**

**Wymiary • Dimensions**



DN	A	B	C	D	E	F	R	L	G DIN 405 Rd x s	kg
25	80	9,5		26						
32	87,6	9,5		32						
40	93,6	9,5		38						
50	111	9,5		50						
65	128,1	9,5		66						
80	143,8	9,5		81						
100	163,9	9,5		100						
125	214	14,0		125						
150	245,8	14,0		150						



Tulejka zaworu motylkowego (komplet)  
Butterfly valve busching (pair)

**43300**

**Wymiary • Dimensions**

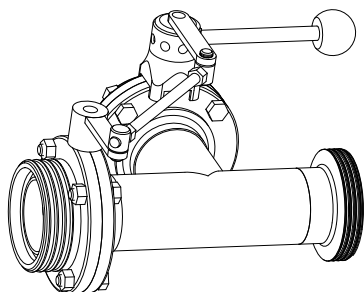


DN	D1	D2	L1	E	R	L	Rd x s	kg
25	10	12	5					
32	10	12	5					
40	12	14	10					
50	12	14	10					
65	12	14	10					
80	14	16	12					
100	14	16	12					
125	18	20	18					
150	18	20	18					

Zawory motylkowe na trójniku G - G - G  
Tee with two butterfly valves G - G - G

**43310**

**Wymiary • Dimensions**

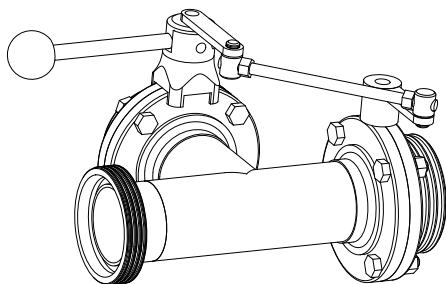


DN	A	B	C	E	R	L	G DIN 405 Rd x s	kg
25	172	72	26	52x1/6"			52x1/6"	
32	183	77	32	58x1/6"			58x1/6"	
40	201	82	38	65x1/6"			65x1/6"	
50	222	93	50	78x1/6"			78x1/6"	
65	146	105	66	95x1/6"			95x1/6"	
80	283	115	81	110x1/4"			110x1/4"	
100	312	130	100	130x1/4"			130x1/4"	
125	514,5	223	125	160x1/4"			160x1/4"	
150	600	265	150	190x1/4"			190x1/4"	

Zawory motylkowe na trójniku G - G - G  
Tee with two butterfly valves G - G - G

**43320**

**Wymiary • Dimensions**

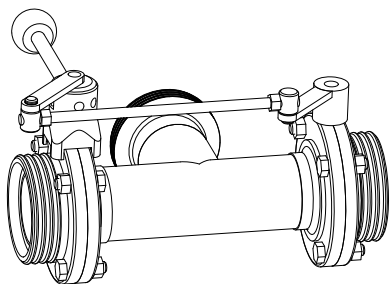


DN	A	B	C	E	R	L	G DIN 405 Rd x s	kg
25	172	72	26	52x1/6"			52x1/6"	
32	183	77	32	58x1/6"			58x1/6"	
40	201	82	38	65x1/6"			65x1/6"	
50	222	93	50	78x1/6"			78x1/6"	
65	146	105	66	95x1/6"			95x1/6"	
80	283	115	81	110x1/4"			110x1/4"	
100	312	130	100	130x1/4"			130x1/4"	
125	514,5	223	125	160x1/4"			160x1/4"	
150	600	265	150	190x1/4"			190x1/4"	

Zawory motylkowe na trójniku G - G - G  
Tee with two butterfly valves G - G - G

**43330**

**Wymiary • Dimensions**

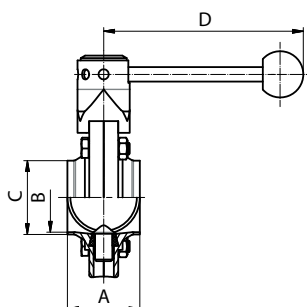


DN	A	B	C	E	R	L	G DIN 405 Rd x s	kg
25	172	100	26	52x1/6"			52x1/6"	
32	183	106	32	58x1/6"			58x1/6"	
40	201	119	38	65x1/6"			65x1/6"	
50	222	127	50	78x1/6"			78x1/6"	
65	246	141	66	95x1/6"			95x1/6"	
80	283	168	81	110x1/4"			110x1/4"	
100	312	182	100	130x1/4"			130x1/4"	
125	514,5	291,5	125	160x1/4"			160x1/4"	
150	600	335	150	190x1/4"			190x1/4"	

Zawór motylkowy SMS S - S  
Butterfly valve SMS S - S

**45010**

**Wymiary • Dimensions**

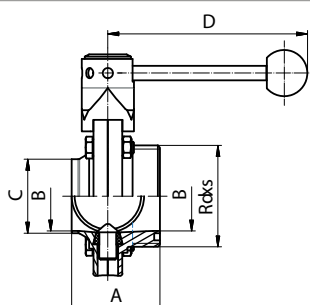


DN	A	B	C	D	F	F	R	L	G DIN 405 Rd x s	kg
25	40	22	25	102,5						
38	50	35	38	102,5						
51	50	48	51	132,5						
63,5	50	60,5	63,5	132,5						
76,1	60	72,1	76,1	155						
101,6	64	97,6	101,6	155						

Zawór motylkowy SMS S - G  
Butterfly valve SMS S - G

**45020**

**Wymiary • Dimensions**

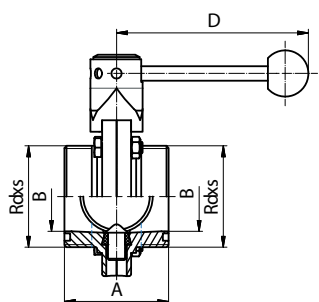


DN	A	B	C	D	E	G	R	L	G DIN 405 Rd x s	kg
25	52	22	25	102,5					40x1/6"	
38	61	35	38	102,5					60x1/6"	
51	61	48	51	132,5					70x1/6"	
63,5	63	60,5	63,5	132,5					85x1/6"	
76,1	80	72,1	76,1	155					98x1/6"	
101,6	84	97,6	101,6	155					125x1/4"	

Zawór motylkowy SMS G - G  
Butterfly valve SMS G - G

**45030**

**Wymiary • Dimensions**

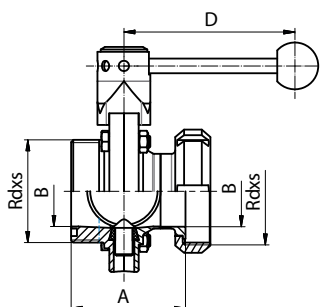


DN	A	B	D	E	F	F	R	L	G DIN 405 Rd x s	kg
25	64	22	102,5						40x1/6"	
38	72	35	102,5						60x1/6"	
51	72	48	132,5						70x1/6"	
63,5	76	60,5	132,5						85x1/6"	
76,1	100	72,1	155						98x1/6"	
101,6	104	97,6	155						125x1/4"	

Zawór motylkowy SMS G - K/M  
Butterfly valve SMS G - K/M

**45040**

**Wymiary • Dimensions**

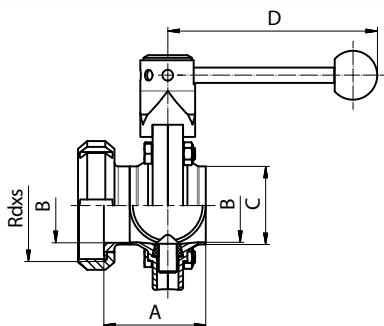


DN	A	B	D	E	F	G	R	L	G DIN 405 Rd x s	kg
25	67,5	22	102,5						40x1/6"	
38	77	35	102,5						60x1/6"	
51	78	48	132,5						70x1/6"	
63,5	80	60,5	132,5						85x1/6"	
76,1	99	72,1	155						98x1/6"	
101,6	103	97,6	155						125x1/4"	

Zawór motylkowy SMS K/M - S  
Butterfly valve SMS K/M - S

**45050**

**Wymiary • Dimensions**

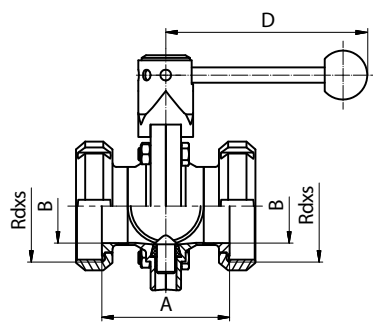


DN	A	B	C	D	F	F	R	L	G DIN 405 Rd x s	kg
25	55,5	22	25	102,5					40x1/6"	
38	66	35	38	102,5					60x1/6"	
51	67	48	51	132,5					70x1/6"	
63,5	67	60,5	63,5	132,5					85x1/6"	
76,1	79	72,1	76,1	155					98x1/6"	
101,6	83	97,6	101,6	155					125x1/4"	

Zawór motylkowy SMS K/M - K/M  
Butterfly valve SMS K/M - K/M

**45060**

**Wymiary • Dimensions**

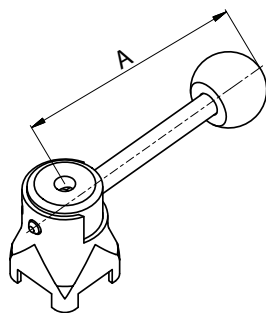


DN	A	B	C	D	E	F	R	L	G DIN 405 Rd x s	kg
25	55,5	22		102,5					40x1/6"	
38	66	35		102,5					60x1/6"	
51	67	48		132,5					70x1/6"	
63,5	67	60,5		132,5					85x1/6"	
76,1	79	72,1		155					98x1/6"	
101,6	83	97,6		155					125x1/4"	

Uchwyt manualny  
Handle for butterfly valve

**43380**

**Wymiary • Dimensions**

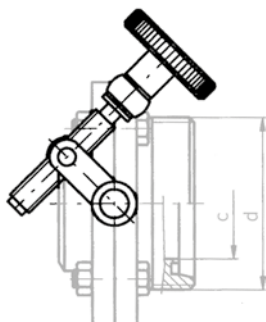


DN	A	B	D	E	F	F	R	L	G DIN 405 Rd x s	kg
25-40	114									
50-65	140									
80-100	174									
125-150	210									

Uchwyt z mikroregulacją  
Handle-screw

**43400**

**Wymiary • Dimensions**

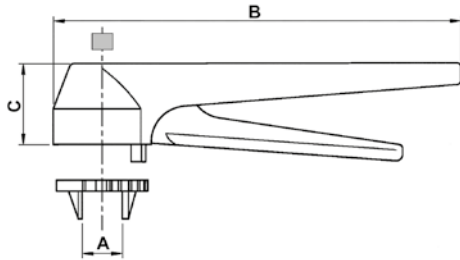


DN	A	B	D	E	F	G	R	L	G DIN 405 Rd x s	kg
25										
32										
40										
50										
65										
80										
100										
125										
150										

Uchwyt multipozycyjny (plastikowy)  
Scissors handle (plastic)

**43410**

**Wymiary • Dimensions**

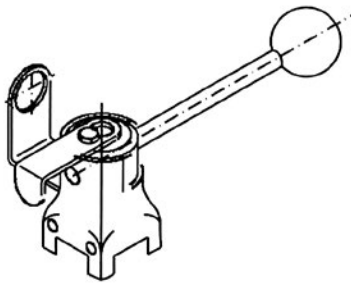


DN	A	B	C	D	F	F	R	L	G DIN 405 Rd x s	kg
<b>25 - 65</b>	20,4	175	35							
<b>80 -100</b>	30,4	175	35							

Uchwyt z podstawką pod czujnik indukcyjny  
Handle for butterfly valve with holding plate

**43420**

**Wymiary • Dimensions**

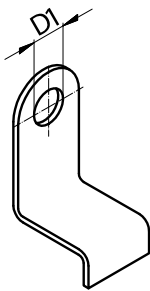


DN	A	B	C	D	E	G	R	L	G DIN 405 Rd x s	kg
<b>25 - 65</b>										
<b>80 -100</b>										

Wspornik do czujki indukcyjnej  
Bracket - handle - proximity switch

**4342A**

**Wymiary • Dimensions**

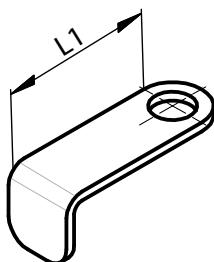


DN	D1	B	D	E	F	F	R	L	G DIN 405 Rd x s	kg
<b>25-100</b>	12									

Wspornik pod czujnik indukcyjny  
Holding plate - handle - proximity switch

**4342B**

**Wymiary • Dimensions**



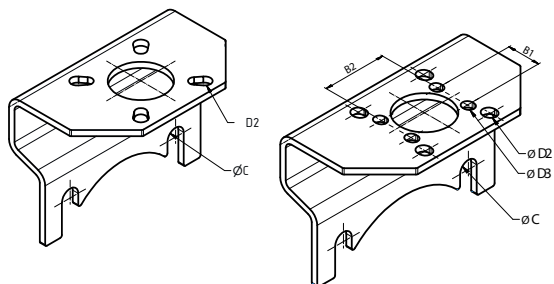
DN	L1	B	D	E	F	G	R	L	G DIN 405 Rd x s	kg
<b>25-65</b>	35									
<b>80-100</b>	45									

Wspornik siłownika pneumatycznego  
typu Air Torque i typu D  
Bracket of pneumatic actuator

**43900**

**Wymiary • Dimensions**

**4390UNIV**

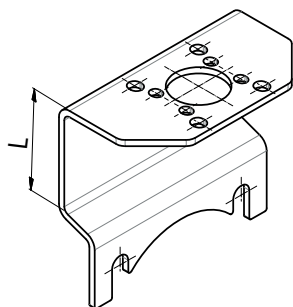


DN	B1	B2	D1	D2	D3	C	R	G DIN 405 Rd x s	kg
25			F04,F05	6,5		9			
32			F04,F05	6,5		9			
40			F04,F05	6,5		9			
50 UNIV.	17	30,5	F05	7,5	6,5	9			
65 UNIV.	17	30,5	F05	7,5	6,5	9			
80 UNIV.	17	30,5	F05	7,5	6,5	9			
100 UNIV.	17	30,5	F05	7,5	6,5	9			

Wspornik siłownika pneumatycznego -  
podwyższony (do siłownika z ciągnem)  
Bracket of pneumatic actuator - increased

**43901**

**Wymiary • Dimensions**

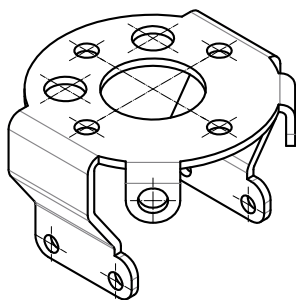


DN	L	D	D	E	G	R	L	G DIN 405 Rd x s	kg
50	52	F05							
65	54	F05							
80	54	F05							
100	54	F05							

Wspornik siłownika pneumatycznego typu C  
dla zaworu motylkowego 43081  
Bracket of pneumatic act. C for 43081

**43906-C**

**Wymiary • Dimensions**

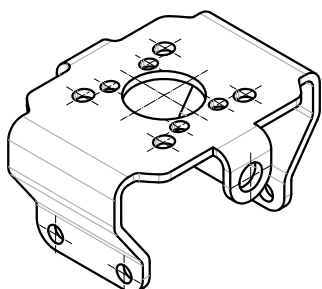


DN	B	D	E	F	F	R	L	G DIN 405 Rd x s	kg
25-32	F04								
40	F04								
50-65	F05								

Wspornik siłownika pneumatycznego typu D  
dla zaworu motylkowego 43081  
Bracket of pneumatic act. D for 43081

**43906-D**

**Wymiary • Dimensions**



DN	A	B	D	E	F	G	R	L	G DIN 405 Rd x s	kg
25-32										
40										
50-65										
80-100										

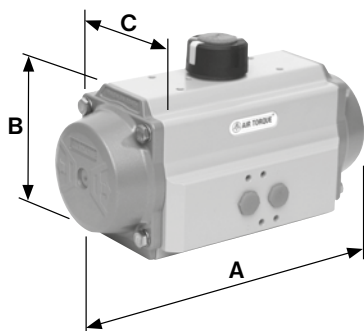


Siłownik pneumatyczny S - R (Air torque)  
Pneumatic actuator S - R

**44050**

**Wymiary • Dimensions**

[AIR-5 bar] [SGRING]



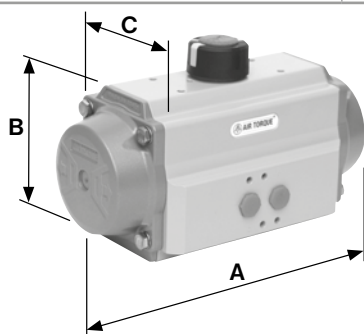
DN	A	B	C	Mk	Mk	F	R	L	G DIN 405 Rd x s	kg
SR 050	140,5	69	70,5	6,5 Nm	6,0 Nm					
SR 100	158,5	85	83	11,2 Nm	10,0 Nm					
SR 200	210,5	102	94,5	22,7 Nm	20,3 Nm					
SR 250	247,5	115	106,3	33,3 Nm	30,0 Nm					
SR 300	268,5	127	123	54,2 Nm	48,6 Nm					
SR 400	345,0	145	141	117,0 Nm	102,0 Nm					

Siłownik pneumatyczny D - A (Air torque)  
Pneumatic actuator D - A

**44100**

**Wymiary • Dimensions**

[AIR-5 bar]

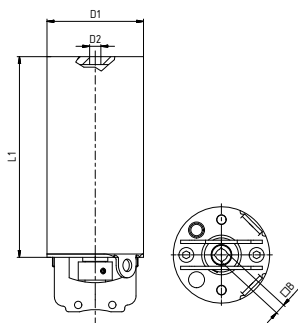


DN	A	B	C	Mk	E	F	R	L	G DIN 405 Rd x s	kg
DA 050	140,5	69	70,5	14,8 Nm						
DA 100	158,5	85	83	26,4 Nm						
DA 200	210,5	102	94,5	56,1 Nm						
DA 250	247,5	115	106,3	85,4 Nm						
DA 300	268,5	127	123	133,0 Nm						
DA 400	345,0	145	141	288,0 Nm						

Siłownik pneumatyczny D - A  
Pneumatic actuator D - A

**4415C**

**Wymiary • Dimensions**



DN	A	B	D1	D2	L1	F	R	L	G DIN 405 Rd x s	kg
25 - 65		906	85	1/8"	174					

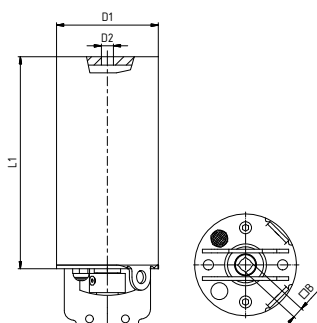
Mk max: 26 Nm  
Working time (90°): 1,5 sec.  
Weight: 3,85 kg  
Working pressure (air): 5 - 9 bar

Maximum air pressure: 10 bar.  
Volume of cylinder: 0,266 l  
Working temperature: 10 - 140°C (NBR)

Siłownik pneumatyczny S - R  
Pneumatic actuator S - R

**4420C**

**Wymiary • Dimensions**



DN	A	B	D1	L2	F	G	R	L	G DIN 405 Rd x s	kg
25 - 65		85	248	9,5						

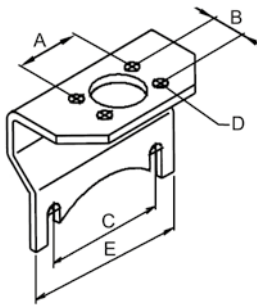
Mk max: 26 Nm  
Working time (90°): 1,5 sec.  
Weight: 3,85 kg  
Working pressure (air): 5 - 9 bar

Maximum air pressure: 10 bar.  
Volume of cylinder: 0,266 l  
Working temperature: 10 - 140°C (NBR)

Wspornik siłownika pneumatycznego typu D  
Bracket of pneumatic actuator

**44140**

Wymiary • Dimensions

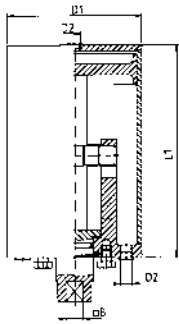


DN	A	B	C	D	E	F	G	R	G DIN 405 Rd x s	kg
25	30,3	17,6	51,6	6	78					
32	30,3	17,6	55,2	6	82					
40	30,3	17,6	58,4	6	86					

Siłownik pneumatyczny D - A  
Pneumatic actuator D - A

**4415D**

Wymiary • Dimensions

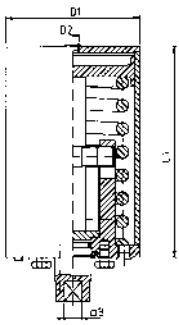


DN	D1	D2	B	L1	E	G	R	L	G DIN 405 Rd x s	kg
25	89	R 1/8"	9,5	175					R 1/8"	
32	89	R 1/8"	9,5	175					R 1/8"	
40	89	R 1/8"	9,5	175					R 1/8"	
50	89	R 1/8"	9,5	175					R 1/8"	
65	89	R 1/8"	9,5	175					R 1/8"	
80	104	R 1/8"	9,5	175					R 1/8"	
100	104	R 1/8"	9,5	175					R 1/8"	
125	129	R 1/8"	14,0	175					R 1/8"	
150	129	R 1/8"	14,0	175					R 1/8"	

Siłownik pneumatyczny S - R  
Pneumatic actuator S - R

**4420D**

Wymiary • Dimensions

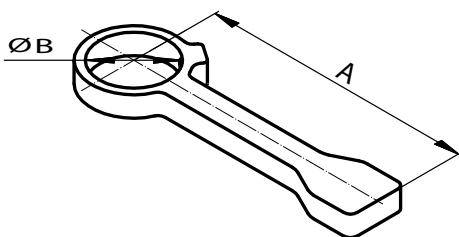


DN	D1	D2	B	L1	F	F	R	L	G DIN 405 Rd x s	kg
25	89	R 1/8"	9,5	175						
32	89	R 1/8"	9,5	175						
40	89	R 1/8"	9,5	175						
50	89	R 1/8"	9,5	175						
65	89	R 1/8"	9,5	175						
80	104	R 1/8"	9,5	175						
100	104	R 1/8"	9,5	175						
125	129	R 1/8"	14,0	175						
150	129	R 1/8"	14,0	175						

Ramię sygnałowe otw/zamk. zaworu  
Signal contact arm

**44220**

Wymiary • Dimensions



DN	L1	B	E	F	G	R	L	G DIN 405 Rd x s	kg
25-100	72	20,3							
125-150	94	30,3							

Podstawka Holding device	<b>44230</b>	<b>Wymiary • Dimensions</b>										
		DN	D1	D2	C	D	E	F	R	L	G DIN 405 Rd x s	kg
		<b>25-100</b>	18,3	6								
		<b>25-100</b>	12,3	6								
		<b>125-200</b>	18,3	9								
		<b>125-200</b>	12,3	9								

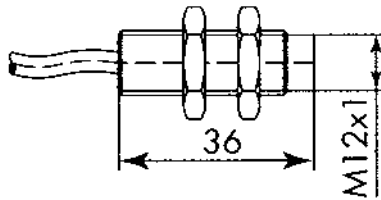
Zawór elektromagnetyczny (do siłowników typu C i D) Solenoid valve directly 3/2	<b>44270</b>	<b>Wymiary • Dimensions</b>											
		DN	A	B	C	D	E	F	R	L	G DIN 405 Rd x s	kg	
	Wejście powietrza / Air entry	G 1/8"											
	Wymiar / Dimension	1,3 mm											
	Ciśnienie powietrza / Air pressure	0-10 bar											
	Temperatura / Temperature	-10 °C - +70 °C											
	Norma / Enclosure	GI 65 - DIN 40050											
	Napięcie / Voltage	24V AC	24V DC	230V AC									
	Żużycie energii / Power consumption	5VA	3W	5VA									
Przepływ / Air flow	50 l/min												
			<b>Opis</b> - Zawór elektromagnetyczny sterowany bezpośrednio z funkcją 3/2 drożną - Wszystkie przyłącza na G 1/8" - Obudowa aluminiowa anodowana z minimalnymi wymiarami zewnętrznymi - Tłok z stali nierdzewnej AISI 303 - Uszczelnienia NBR - Śruby z stali nierdzewnej AISI 304  <b>Description</b> - Solenoid valve directly operated with 3/2- ways function - All entrees have G 1/8" - Body Aluminium anodised, with minimal external dimensions - Piston Stainless steel AISI 303 - Sealings NBR - Screws Stainless steel AISI 304										

Zawór elektromagnetyczny (do siłowników Air Torque) Solenoid valve	<b>44300</b>	<b>Wymiary • Dimensions</b>										
		DN	A	B	D1	D2	L1	F	R	L	G DIN 405 Rd x s	kg
	<b>Opis</b>											
	- Zawór elektromagnetyczny NAMUR z funkcją 5/2 i 3/2 drożną z standardową cewką i złączem											
	- Łatwa zmiana z 5/2 na 3/2 drożny przez nowatorską płytkę uszczelniającą											
	- Sterowanie ręczne w standardzie											
	- Obudowa aluminiowa anodowana z minimalnymi wymiarami zewnętrznymi											
	- Podstawka NAMUR GA 6 30% włókno szklane											
	<b>Description</b>											
- Solenoid valve NAMUR with combined 5/2 - and 3/2 - ways function with standard coil and connector												
- Easy change over from 5/2 - to 3/2 - ways operation by innovative sealing plate												
- Manual override as standard												
- Body Aluminium anodised, with minimal external dimensions												
- NAMUR coupling plate GA 6 - 30 % Glass fibre												
- Giston Stainless steel AISI 303, Sealings NBR, Screws Stainless steel AISI 304												
Anschluss / Air entry		G 1/4"										
Nennweite / Dimension		5,5 mm										
Arbeitsdruck / Air pressure		2-10 bar										
Temperatur / Temperature		-10 °C - +50 °C										
Schutzart / Enclosure		GI 65 - DIN 40050										
Spannung / Voltage		24V AC	24V DC	230V AC								
Leistung / Power consumption		5VA	3W	5VA								
Nenndurchfluss / Air flow		950 l/min										

Czujnik zbliżeniowy  
Proximity switch

**44360**

**Wymiary • Dimensions**

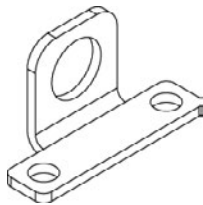


DN	A	B	C	D	E	L	R	G DIN 405 Rd x s	kg
M 12									

Wspornik czujnika zbliżeniowego  
Suport of proximity switch

**44370**

**Wymiary • Dimensions**

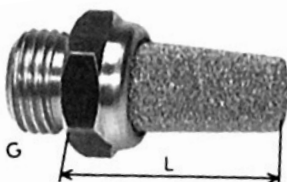


DN	A	B	D	D	E	G	R	L	G DIN 405 Rd x s	kg

Tłumik hałasu  
Noise silencer

**44420**

**Wymiary • Dimensions**



DN	G	L	C	D	E	F	R	L	G DIN 405 Rd x s	kg
G 1/8	G 1/8"	21,5							G 1/8"	
G 1/4	G 1/4"	26,5							G 1/4"	

Wentyl 6/4  
Screw union

**44430**

**Wymiary • Dimensions**



DN	A	B	D	E	F	G	R	L	G DIN 405 Rd x s	kg
G 1/8 - 4	G 1/8"	4							G 1/8"	
G 1/8 - 6	G 1/8"	6							G 1/8"	
G 1/8 - 8	G 1/8"	8							G 1/8"	
G 1/8 - 10	G 1/8"	10							G 1/8"	
G 1/4 - 4	G 1/4"	4							G 1/4"	
G 1/4 - 6	G 1/4"	6							G 1/4"	
G 1/4 - 8	G 1/4"	8							G 1/4"	
G 1/4 - 10	G 1/4"	10							G 1/4"	
G 1/4 - 12	G 1/4"	12							G 1/4"	

Złącza do pneumatyki 90°  
Air connect 90°

**44435**

**Wymiary • Dimensions**

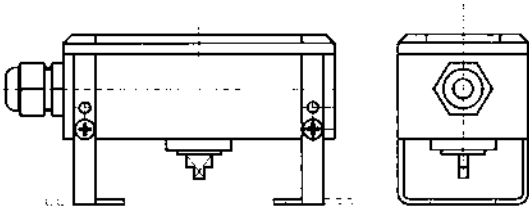


DN	A	B	C	Mk	Mk	F	R	L	G DIN 405 Rd x s	kg
	G1/8	D 4								
	G1/8	D 6								
	G1/8	D 8								
	G1/4	D 4								
	G1/4	D 6								
	G1/4	D 8								

Indukcyjny czujnik zbliżeniowy  
Inductive proximity switches

**44450**

**Wymiary • Dimensions**

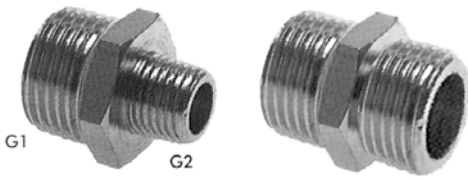


DN	A	B	C	Mk	E	F	R	L	G DIN 405 Rd x s	kg

Nypel  
External nipple

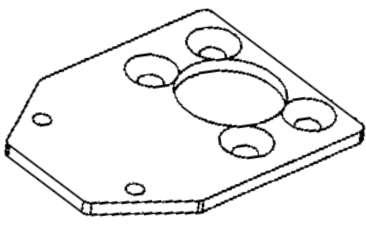
**44500**

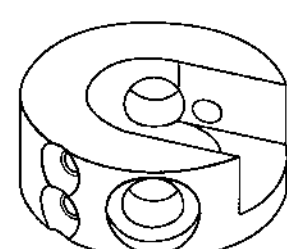
**Wymiary • Dimensions**

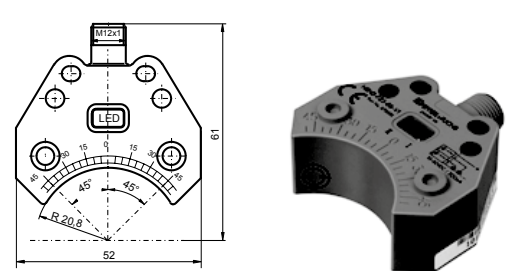


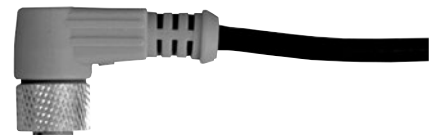
DN	G1	G2	C	D	E	F	R	L	G DIN 405 Rd x s	kg
1/4 - 1/4	G 1/4"	G 1/4"								
1/4 - 1/8	G 1/4"	G 1/8"								
1/8 - 1/8	G 1/8"	G 1/8"								
3/8 - 3/8	G 3/8"	G 3/8"								





Wspornik czujnika Suport of lower sensor	44510	<b>Wymiary • Dimensions</b>																						
		DN	A	B	C	E	F	G	R	L	G DIN 405 Rd x s	kg												
																								

Kontaktron Switch cams supported	44520	<b>Wymiary • Dimensions</b>																						
		DN	A	B	C	E	F	G	R	L	G DIN 405 Rd x s	kg												
																								

Czujnik indukcyjny podwójnego działania Dual sensor	44530	<b>Wymiary • Dimensions</b>																						
		DN	A	B	C	E	F	G	R	L	G DIN 405 Rd x s	kg												
																								

Przewód z wtyczką 90° Cable connector 90°	44540	<b>Wymiary • Dimensions</b>																						
		DN	A	B	C	E	F	G	R	L	G DIN 405 Rd x s	kg												
																								

Przewód z wtyczką prostą Cable connector	<b>44541</b>	<b>Wymiary • Dimensions</b>									
		DN	A	B	C	D	E	F	R	L	G DIN 405 Rd x s
	<b>Specyfikacja ogólna:</b>										
	Liczba przewodów		4								
Rodzaj przyłącza		Gniazdo proste									
Gwint		M12									
<b>Parametry:</b>											
Napięcie znamionowe		U <sub>b</sub> max. 250 V AC/DC									
Natężenie znamionowe		max. 4 A									
Wartość rezystancji		< 5 mΩ									
<b>Środowisko pracy:</b>											
Temperatura otoczenia:		korpus : -40 ... 90 °C przewody: -25 ... 80 °C									

Napęd elektryczny Electric drive	<b>44590</b>	<b>Wymiary • Dimensions</b>								
		DN	A	B	C	D	E	F	R	L
	Max moment Nm	Typ	Przełącznik On-Off	Przełącznik pozycji	Czas zmiany położenia s/90°	Kołnierz ISO	Moc kW	Prąd znamionowy A	Prąd początkowy A	
	<b>85-260VAC 50-60HZ</b>									
	70	<b>AQ7L</b>	Tak	Tak	15	F05/F07	0.02	0.4	1	
	<b>24V DC</b>									
	70	<b>AQ7L</b>	Tak	Tak	15	F05/F07	0.02	0.5	6	

Głowica kontrolna Control box	<b>44710-C3</b>	<b>Wymiary • Dimensions</b>									
		DN	A	B	C	D	E	F	R	L	G DIN 405 Rd x s
	Typy: <b>44710 C3 EKO</b> - obudowa GOM + 2x przełączniki, LED										
	<b>44710 C3 STANDARD</b> - obudowa GOM + 2x czujnik indukcyjny, LED										
	<b>44710 C3 MAX</b> - obudowa 1.4301 + 2x czujnik indukcyjny, LED										
	Czujniki położenia: przełącznik: 12 - 30 V czujnik zbliżeniowy: 12 - 30 V										
	Zawór elektromagnetyczny: 24 V DC										
	Oświetlenie: 3W (red and green)										
Podłączenie powietrza: for compressed air hose 6/4											
Temperatura otoczenia: -15°C to +60°C											

Cyfrowy pozycjoner elektropneumatyczny  
Digital electropneumatic positioner

**44800**

**Wymiary • Dimensions**



The robust and compact positioner is designed to standardisation acc. to IEC 534-6 or VDI/VDE 3845 for assembly with linear and rotary actuators. In addition, the remote version with the displacement position sensor can be combined with Bürkert process control valves. The digital electropneumatic positioner SideControl can be operated with the usual current and voltage standard signals and can also be equipped with the fieldbus interface GROBUS DGV1. Additionally to the digital graphic display the valve opening is signaled by a mechanical indicator element.

Operation occurs via the external operation and display module. It consists of a backlit graphical display and a robust transparency keyboard with four keys with software driven function indication. For the user operation is very simple and clear, identical to the Bürkert positioner or process controller TopControl, Type 8692/8693.

The pilot valve system can be used equally for single and doubleacting drives. It is characterised by a defined safety feature in case of failure of the electrical or pneumatic power supply and possesses an enormous air capacity range with pressure supply up to 7 bar.

DN	A	B	C	E	F	F	R	L	G DIN 405 Rd x s	kg
----	---	---	---	---	---	---	---	---	------------------	----

Material Body Seal	Aluminium plastic-coated EGDM, NBR, FKM
Operating voltages	24 VDC +/- 10%
Residual ripple	max. 10%
Setpoint setting	0/4 to 20 mA and 0 to 5/10 V
Input resistance	0/4 to 20 mA: 180 Ω 0 to 5/10 mA: 19 kΩ
Analogue feedback	4 - 20 mA, 0 - 20 mA 0 - 10 V, 0 - 5 V
Binary input	galvanically isolated, 0 - 5 V = log "0", 10 - 30 V = log "1"
Binary output Current limit	2 Outputs (optional), galvanically separated 100 mA, Output will be synchronised when overloaded
Control medium	Neutral gases, air DIN ISO 8573-1
Dust concentration	Class 5 (< 40 µm particle size)
Garticle density	Class 5 (< 10 mg/m <sup>3</sup> )
Gressure condensation point	Class 3 (< -20°C)
Oil concentration	Class 5 (< 25 mg/m <sup>3</sup> )
Ambient temperature	0 to +6°C
Gilot air ports	Threaded ports G 1/4
Supply pressure	1,4 to 7 bar <sup>1)</sup>
Air supply filter	Exchangeable (aperture size ~ 0,1 mm)
Actuator system Air capacity	single and double-acting to 150 l <sub>v</sub> /min. 95 l <sub>v</sub> /min. (with 1,4 bar <sup>2)</sup> ) for aeration and ventilation 150 l <sub>v</sub> /min (with 6 bar <sup>2)</sup> ) for aeration and ventilation Q <sub>Nn</sub> = 100 lNp/min (acc. to the definition with decrease in pressure from 7 to 6 bar absolute)
Position detection module	Gotentiometer, max. angle 1800
Stroke range valve spindle	min. 30° on the rotary shaft, depending on lever
Installation	as required, display above or sideways
Type of protection	IG 65/67 acc. to EN 60529 (NEMA4x in preparation)
Gower consumption	< 5 W
Electrical connection	M12, 8-pin/4-pin; M8, 4-pin
Multipole connection	2x M 20 x 1,5 (cable Ø 10 mm) on screw terminals (0,14 - 1,5 mm <sup>2</sup> )
Cable gland	1x M 12 x 1,5 (cable Ø 3 to 6,5 mm)
Remote version	
Bus communication	Grofi bus DGV1 (optional)
Inductive proximity switch	on request
Protection class	3 acc. to VDE 0580
Type of ignition protection	II 3 G nA II B T4 (in preparation) II 3 D tD A22 T135° (in preparation)
Conformity	EMV2004/108/EG
Approvals	CSA (in preparation)

- o Compact metal housing
- o Graphic display with backlight
- o Easy start-up
- o Comprehensive range of additional software functions
- o Grofi bus DGV 1 (optional)
- o Assembly acc. to IEC 534-6 / VDI VDE 3845

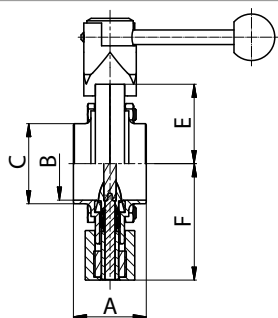
<sup>1)</sup> The supply pressure has to be 0,5 - 1 bar above the minimum required pilot pressure for the valve actuator

<sup>2)</sup> Gressure specifications: Overpressure with respect to atmospheric pressure

Zawór motylkowy z kontrolą wycieku S - S  
Leakage butterfly valves S - S

**45611**

**Wymiary • Dimensions**

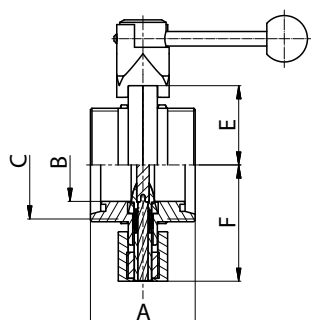


DN	A	B	C	E	F	G	R	L	G DIN 405 Rd x s	kg
40	50	38	43	48,5	71					
50	50	50	55	55	80					
65	50	66	72	63,5	89					

Zawór motylkowy z kontrolą wycieku G - G  
Leakage butterfly valves G - G

**45612**

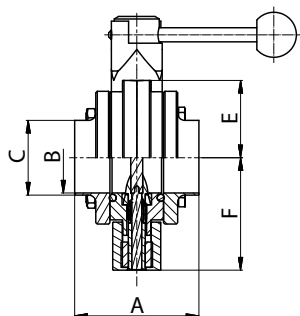
**Wymiary • Dimensions**



DN	A	B	C	E	F	G	R	L	G DIN 405 Rd x s	kg
40	72	38	65x1/6"	48,5	71				65x1/6"	
50	72	50	78x1/6"	55	80				78x1/6"	
65	76	66	95x1/6"	63,5	89				95x1/6"	

Zawór motylkowy kołnierzowy z kontrolą wycieku S - S  
Leakage butterfly valve with compact flange S - S

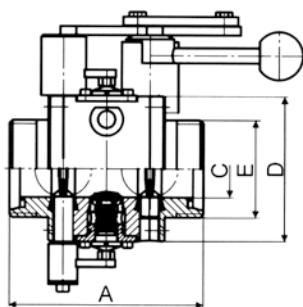
### 45618 Wymiary • Dimensions



DN	A	B	C	E	F	G	G DIN 405 Rd x s	kg
40	88	38	43	48,5	71			
50	88	50	53	55	80			
65	88	66	72	63,5	89			

Zawór motylkowy z kontrolą wycieku G - G  
Leakage butterfly valves G - G

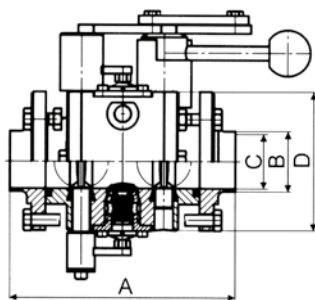
### 45623 Wymiary • Dimensions



DN	A	B	C	D	F	G DIN 405 Rd x s	kg
25	122		26	87	Rd 52 x 1/6"	Rd 52 x 1/6"	
32	122		32	92	Rd 58 x 1/6"	Rd 58 x 1/6"	
40	130		38	97	Rd 65 x 1/6"	Rd 65 x 1/6"	
50	130		50	110	Rd 78 x 1/6"	Rd 78 x 1/6"	
65	146		66	127	Rd 95 x 1/6"	Rd 95 x 1/6"	
80	185		81	142	Rd 110 x 1/4"	Rd 110 x 1/4"	
100	209		100	162	Rd 130 x 1/4"	Rd 130 x 1/4"	

Zawór motylkowy z kontrolą wycieku S - S  
Leakage butterfly valves S - S

### 45628 Wymiary • Dimensions

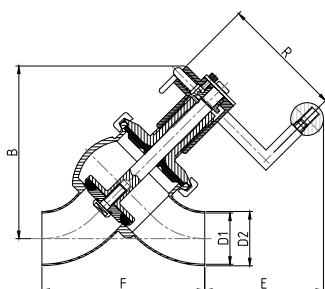


DN	A	B	C	D	E	G	G DIN 405 Rd x s	kg
25	148	30	26	87				
32	148	36	32	92				
40	158	42	38	97				
50	158	54	50	110				
65	170	71	66	127				
80	221	86	81	142				
100	221	105	100	162				

Zawór odcinający S - S, Typ - Y  
Inline angle seat valve S - S, Type - Y

**47290**

**Wymiary • Dimensions**

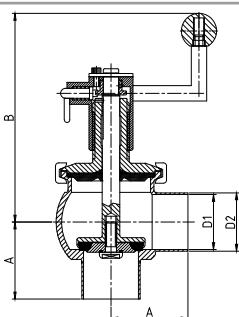


DN	R	B	C	D1	D2	E	F	L	G DIN 405 Rd x s	kg
25	60	124		26	29	69	111,8			
40	120	160		38	41	117	145,4			
50	120	168		50	53	115	159,0			
65	120	198		66	70	122	187,2			
80	120	204		81	85	113	205,9			

Zawór odcinający kątowy S - S, Typ - L  
Angle seat valve S - S, Type - L

**47300**

**Wymiary • Dimensions**

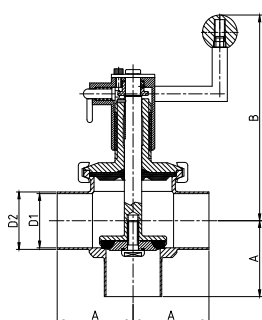


DN	A	B	C	D1	D2	F	R	L	G DIN 405 Rd x s	kg
25	50	135		26	29					
40	60	181		38	41					
50	70	189		50	53					
65	80	218		66	70					
80	90	219		81	85					

Zawór odcinający S - S - S, Typ - T  
Double angle seat valve S - S - S, Type - T

**47310**

**Wymiary • Dimensions**

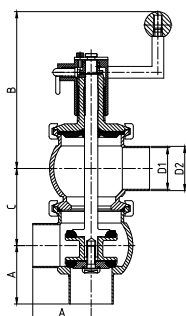


DN	A	B	C	D1	D2	G	R	L	G DIN 405 Rd x s	kg
25	50	135		26	29					
40	60	181		38	41					
50	70	189		50	53					
65	80	218		66	70					
80	90	219		81	85					

Zawór odcinający zmienny S - S - S, Typ - LL  
Change over valve S - S - S, Type - LL

**47320**

**Wymiary • Dimensions**



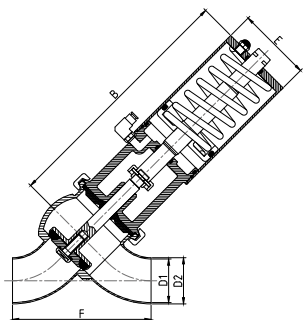
DN	A	B	C	D1	D2	F	R	L	G DIN 405 Rd x s	kg
25	50	119	56,6	26	29					
40	60	184	80,0	38	41					
50	70	188	92,4	50	53					
65	80	221	120,0	66	70					
80	90	226	128,0	81	85					

Zawór odcinający S - S, Typ - Y  
z siłownikiem pneumatycznym  
Inline angle seat valve S - S, Type - Y, pneumatic

**4729 C-P45**

**Wymiary • Dimensions**

**NC / NO**



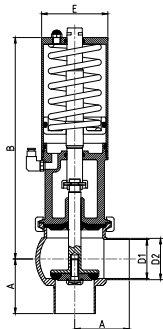
DN	A	B	D1	D2	E	F	L	G DIN 405 Rd x s	kg
25		47,0	26	29	60	111,8			
40		277,7	38	41	85	145,4			
50		284,1	50	53	85	159,0			
65		357,8	66	70	133	187,2			
85		360,9	81	85	133	205,9			

Zawór odcinający kątowy S - S, Typ - L z  
siłownikiem pneumatycznym  
Angle seat valve S - S, Type - L, pneumatic

**4730 C-P45**

**Wymiary • Dimensions**

**NC**



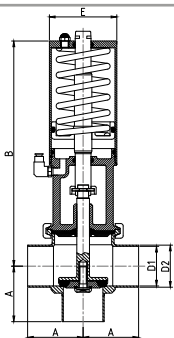
DN	A	B	C	D1	D2	E	L	G DIN 405 Rd x s	kg
25	50	147,0		26	29	60			
40	60	277,7		38	41	85			
50	70	284,1		50	53	85			
65	80	357,8		66	70	133			
85	90	360,9		81	85	133			

Zawór odcinający S - S - S, Typ - T z  
siłownikiem pneumatycznym  
Double angle seat valve S - S - S, Type - T,  
pneumatic

**4731 C-P45**

**Wymiary • Dimensions**

**NC**



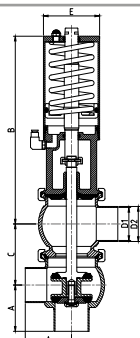
DN	A	B	C	D1	D2	E	L	Rd x s	kg
25	50	147,0		26	29	60			
40	60	277,7		38	41	85			
50	70	284,1		50	53	85			
65	80	357,8		66	70	133			
85	90	360,9		81	85	133			

Zawór odcinający zmienny S - S - S, Typ - LL  
z siłownikiem pneumatycznym  
Change over valve S - S - S, Type - LL,  
pneumatic

**4732 C-P45**

**Wymiary • Dimensions**

**NC**



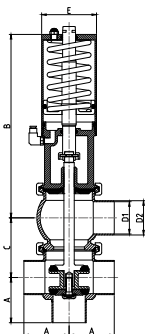
DN	A	B	C	D	E	R	L	G DIN 405 Rd x s	kg
25	50	147,0	56,6	26	29	60			
40	60	277,7	80,0	38	41	85			
50	70	284,1	92,4	50	53	85			
65	80	357,8	120,0	66	70	133			
85	90	360,9	128,1	81	85	133			

Zawór odcinający zmienny S - S - S, Typ - LT z siłownikiem pneumatycznym  
Change over valve S - S - S, Type - LT, pneumatic

**4733 C-P45**

**Wymiary • Dimensions**

**NC**



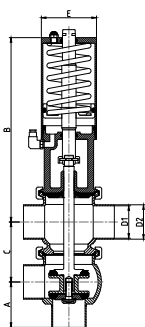
DN	A	B	C	D	E	R	L	G DIN 405 Rd x s	kg
25	50	147,0	56,6	26	29	60			
40	60	277,7	80,0	38	41	85			
50	70	284,1	92,4	50	53	85			
65	80	357,8	120,0	66	70	133			
80	90	360,9	128,1	81	85	133			
Typ / Type: powietrze - sprężyna / air - spring									
Mat. / Grade: AISI 316L									

Zawór odcinający zmienny S - S - S, Typ - TL z siłownikiem pneumatycznym  
Change over valve S - S - S, Type - TL, pneumatic

**4734 C-P45**

**Wymiary • Dimensions**

**NC**



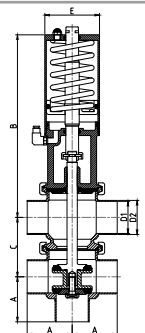
DN	A	B	C	D1	D2	E	L	G DIN 405 Rd x s	kg
25	50	147,0	56,6	26	29	60			
40	60	277,7	80,0	38	41	85			
50	70	284,1	92,4	50	53	85			
65	80	357,8	120,0	66	70	133			
80	90	360,9	128,1	81	85	133			
Typ / Type: powietrze - sprężyna / air - spring									
Mat. / Grade: AISI 316L									

Zawór odcinający zmienny S - S - S, Typ - TT z siłownikiem pneumatycznym  
Change over valve S - S - S, Type - TT, pneumatic

**4735 C-P45**

**Wymiary • Dimensions**

**NC**



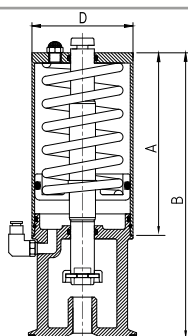
DN	A	B	C	D1	D2	E	L	G DIN 405 Rd x s	kg
25	50	147,0	56,6	26	29	60			
40	60	277,7	80	38	41	85			
50	70	284,1	92,4	50	53	85			
65	80	357,8	120,0	66	70	133			
80	90	360,9	128,1	81	85	133			
Typ / Type: powietrze - sprężyna / air - spring									
Mat. / Grade: AISI 316L									

Siłownik pneumatyczny S - R  
Pneumatic actuator S - R

**4745 (P45)**

**Wymiary • Dimensions**

**NC**



DN	A	B	C	D	E	R	L	G DIN 405 Rd x s	kg
25	175			89					
40-50	175			104					
65-80	230			129					

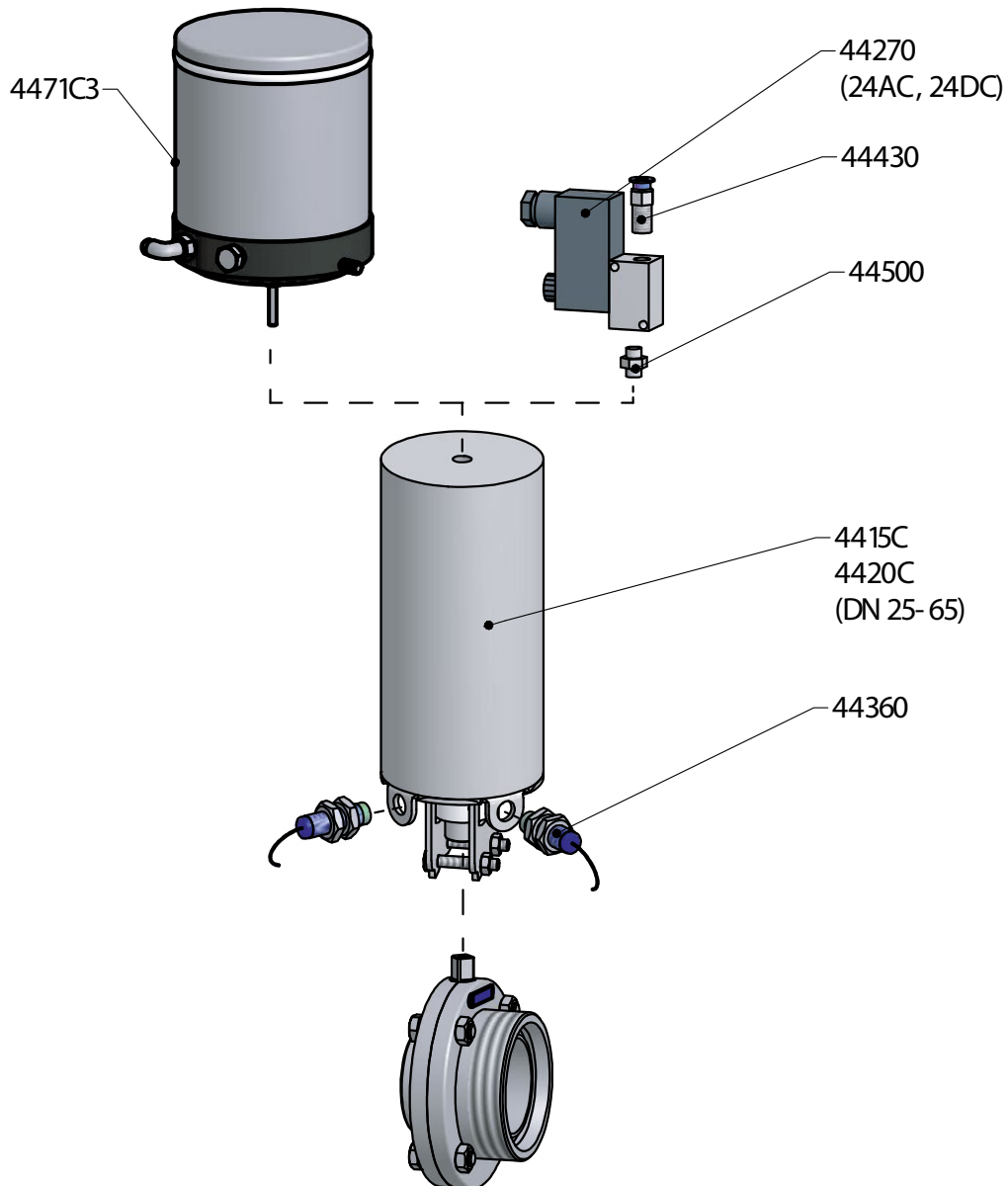


## Zawór motylkowy z siłownikiem pneumatycznym 4415C (4420C)

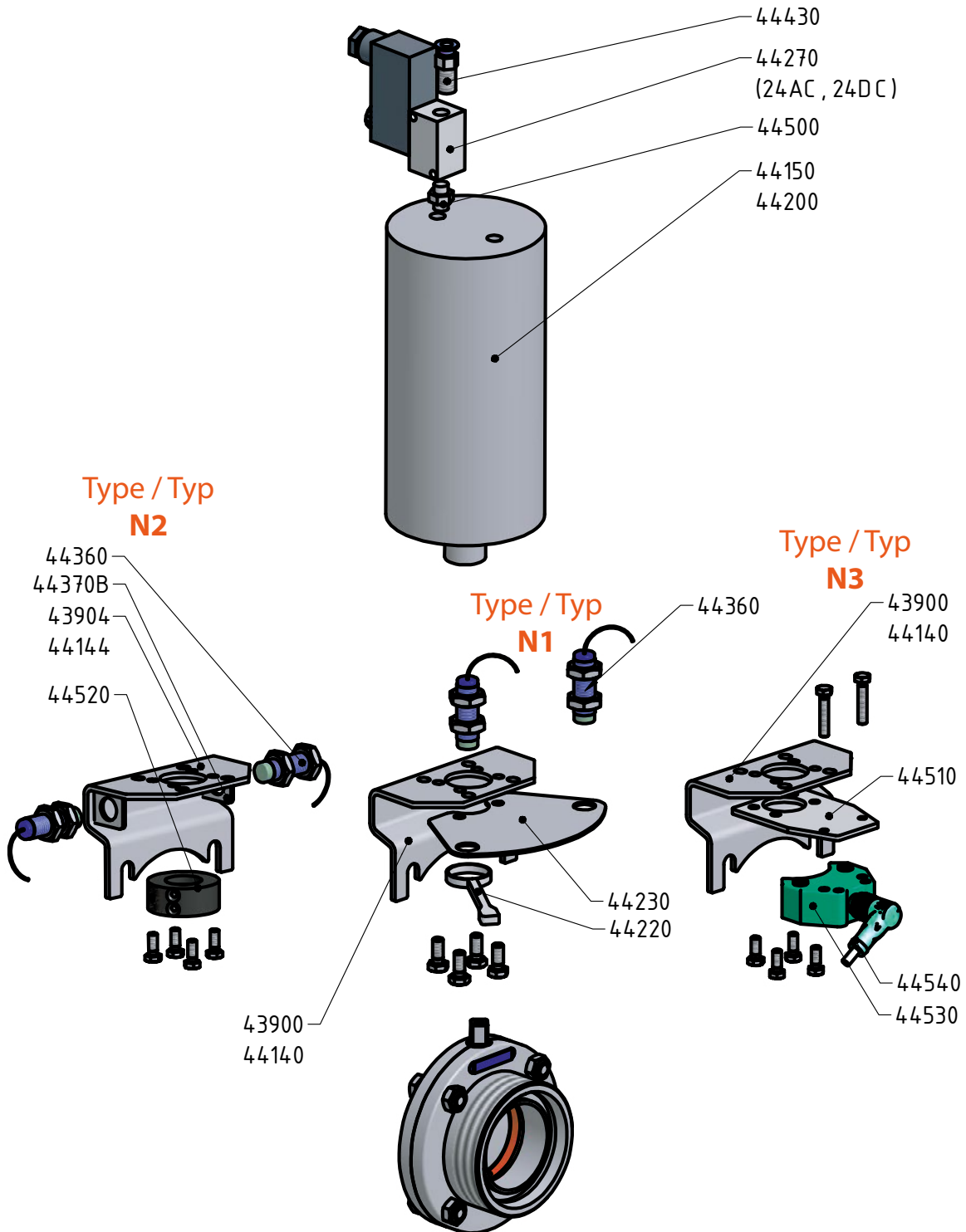
- warianty sygnalizacji i kontroli (elektrozawór x skrzynka kontrolna)

## Butterfly valve with pneumatic actuator 4415C (4420C)

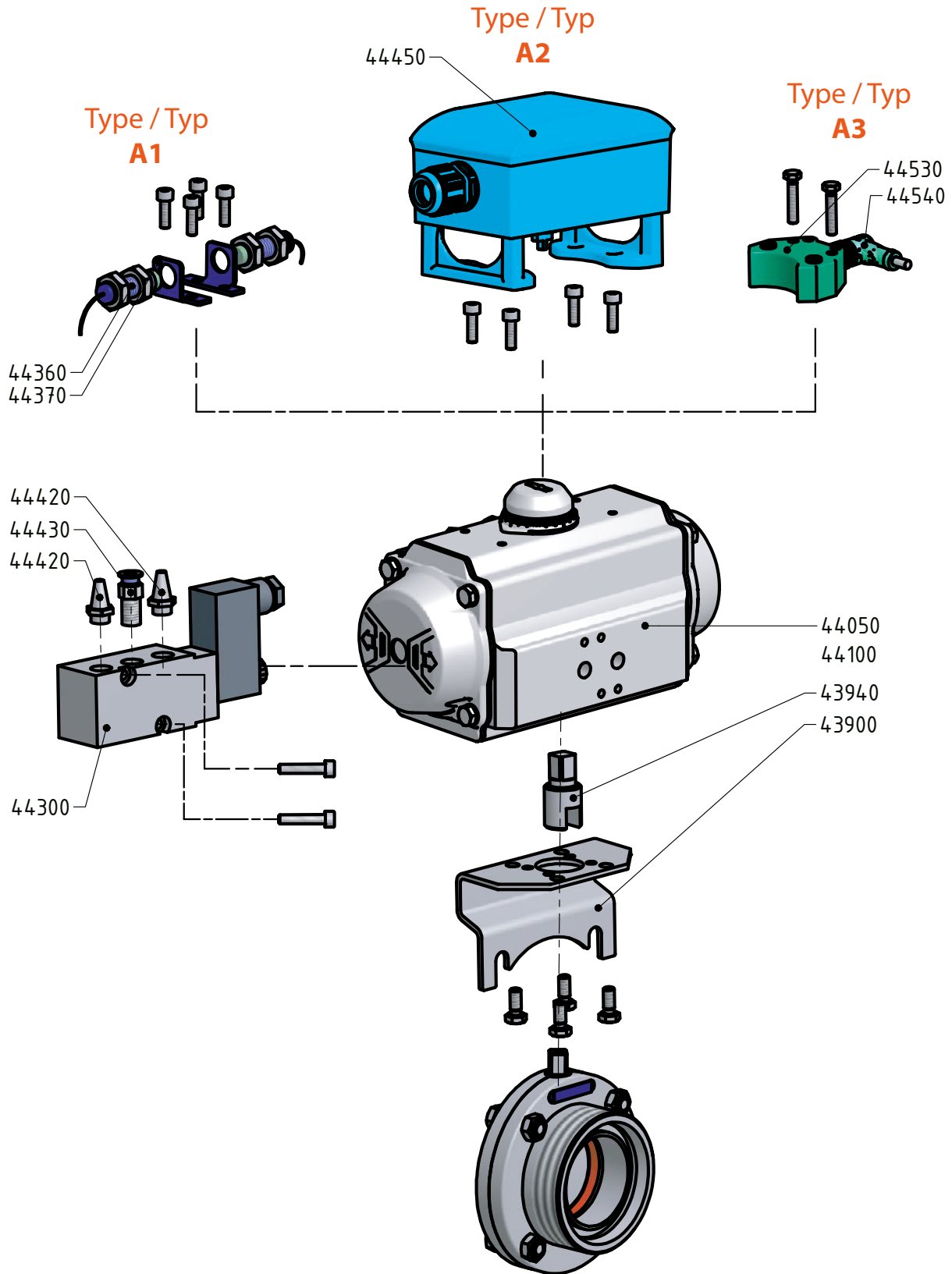
- variants signaling and control (solenoid valve x control box)



**Zawór motylkowy z siłownikiem pneumatycznym 4415D (4420D) - warianty sygnalizacji i kontroli**  
**Butterfly valve with pneumatic actuator 4415D (4420D) - variants signaling and control**

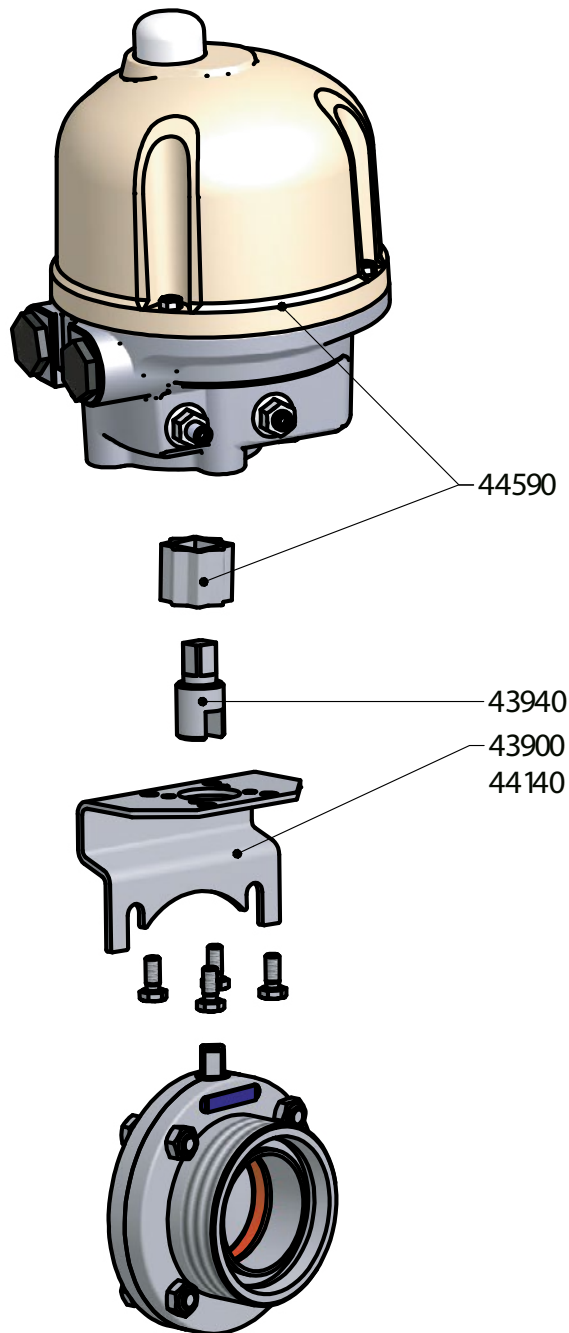


**Zawór motylkowy z silownikiem pneumatycznym Air Torque - warianty sygnalizacji i kontroli**  
**Butterfly valve with pneumatic actuator Air Torque - variants signaling and control**



**Zawór motylkowy z napędem elektrycznym**

Butterfly valve with electric drive



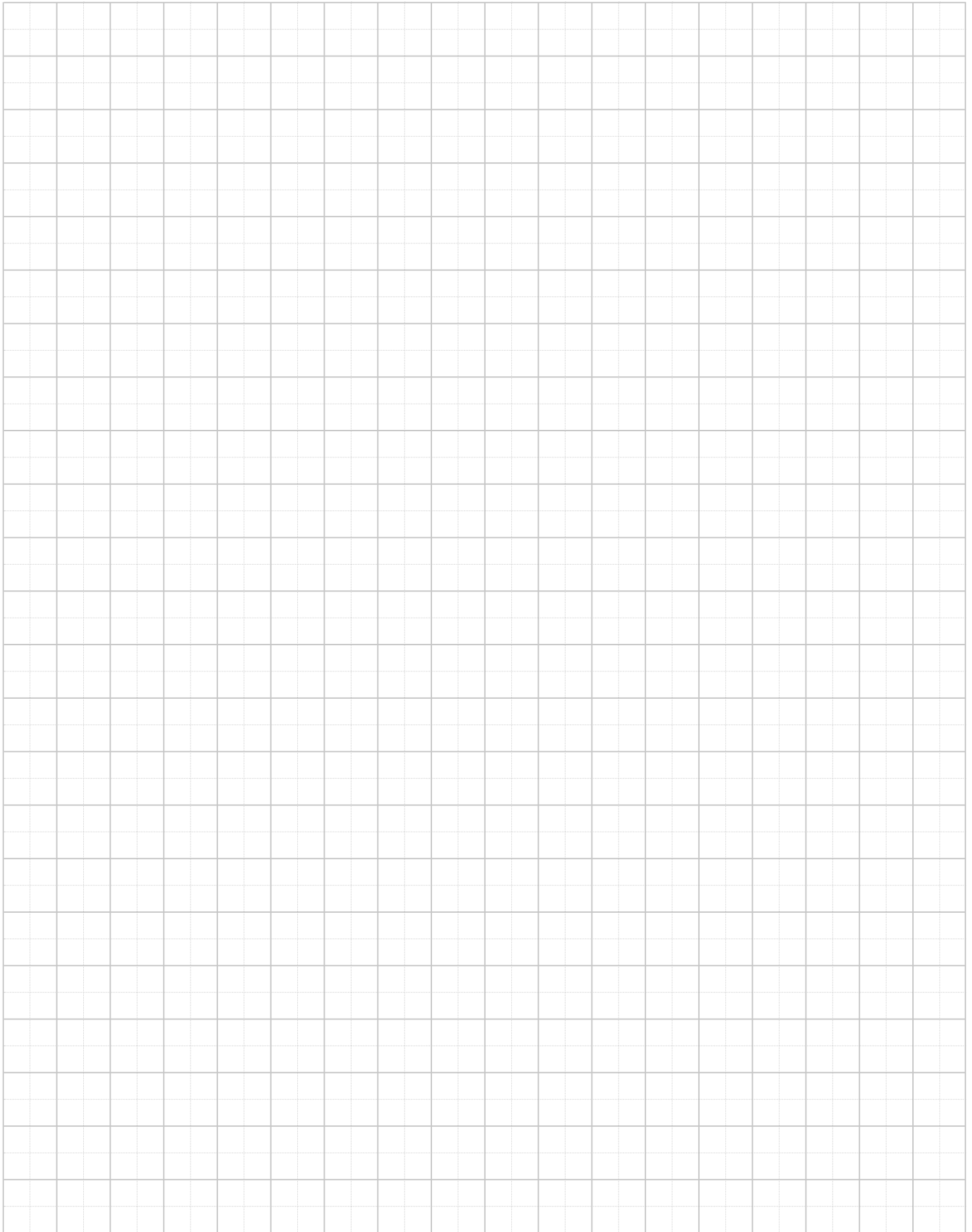
Informacje techniczne					
NAZWA	SILIKON Q (wielocząsteczkowy polimer organosiloksanowy)	EPDM (kopolimery etylenu i propylenu)	FPM /VITTON (polimer monomerów zawierających fluor, głównie fluorek winylidenu)	NBR (kopolimer akrylonitrylu i butadienu)	P.T.F.E./TEFLON (politetrafluoroetylen)
TEMPERATURA ZASTOSOWANIA	w wodzie stabilnie do 100°C  możliwość sterylizacji parą wodną krótko czasowo do 120°C - 130°C	ciągła eksploatacja zastosowania od 40°C do 140°C  możliwość sterylizacji parą wodną do 130°C	ciągła eksploatacja zastosowania od 20°C do 200°C  możliwość sterylizacji parą wodną krótko czasowo do 130°C – 140°C	ciągła eksploatacja zastosowania od 25°C do 110°C  możliwość sterylizacji parą wodną krótko czasowo do 13 °C	do 200°C fizjologicznie bezpieczny, zastosowanie od 200°C do 260°C
ZALECANE ZASTOSOWANIE	obciążenia o wysokiej odporności na temperatury  stabilny na zimno, doskonale nadaje się do produktów żywnościowych, dobra odporność na alkohol	dobra odporność na puchnięcie w środowisku:  - rozcieńczonych organicznych i nieorganicznych kwasów, kwasów alkalicznych i ketonów  - gorąca woda i para wodna do 130°C	dobra odporność na puchnięcie w środowisku:  - olei mineralnych  - olei roślinnych i zwierzęcych  - smarów (i dodatków)  - paliwa i smarów	dobra odporność na puchnięcie w środowisku:  - węglowodorów (propan, butan, benzyny, olej mineralny)  - smarów na podstawie olei mineralnych	dobra odporność na puchnięcie praktycznie we wszystkich substancjach; powierzchnia jest gładka i hydrofobowa, przez co sklejenia nie występują  chemiczna odporność jest lepsza od wszystkich innych niepalnych elastomerów
OGRANICZENIA W UŻYCIU	Charakteryzuje się silnym puchnięciem w kontakcie z:  - estrami i eterami  - alifatycznymi i aromatycznymi węglowodarami  - stężonymi kwasami i kwasami alkalicznymi	Nie używać do:  - olei roślinnych i zwierzęcych  - alifatycznych, aromatycznych i chlorowanych węglowodorów  - olei mineralnych	Charakteryzuje się silnym puchnięciem w kontakcie z:  - rozpuszczalnikami polarnymi (np. aceton, metilketon, octan etylu i dioksan  - kwasami organicznymi (kwas mrówkowy i octowy)  - gazowym amoniakiem, aminami i alkanami  - przegrzaną parą wodną	Nieodporny na:  - węglowodory  - ketony  -węglowodory - aromatyczne (benzen)  - estry	Nieodporny na:  - ciekłe metale alkaliczne i niektóre związki fluoru przy wysokiej temperaturze i ciśnieniu
CERTYFIKACJA MATERIAŁU	BGA/FDA	BGA/FDA	BGA/FDA	BGA/FDA	BGA/FDA

BGA = Certyfikat wydany przez „Niemieckie Ministerstwo Zdrowia” („Bundesgesundheitsam“)

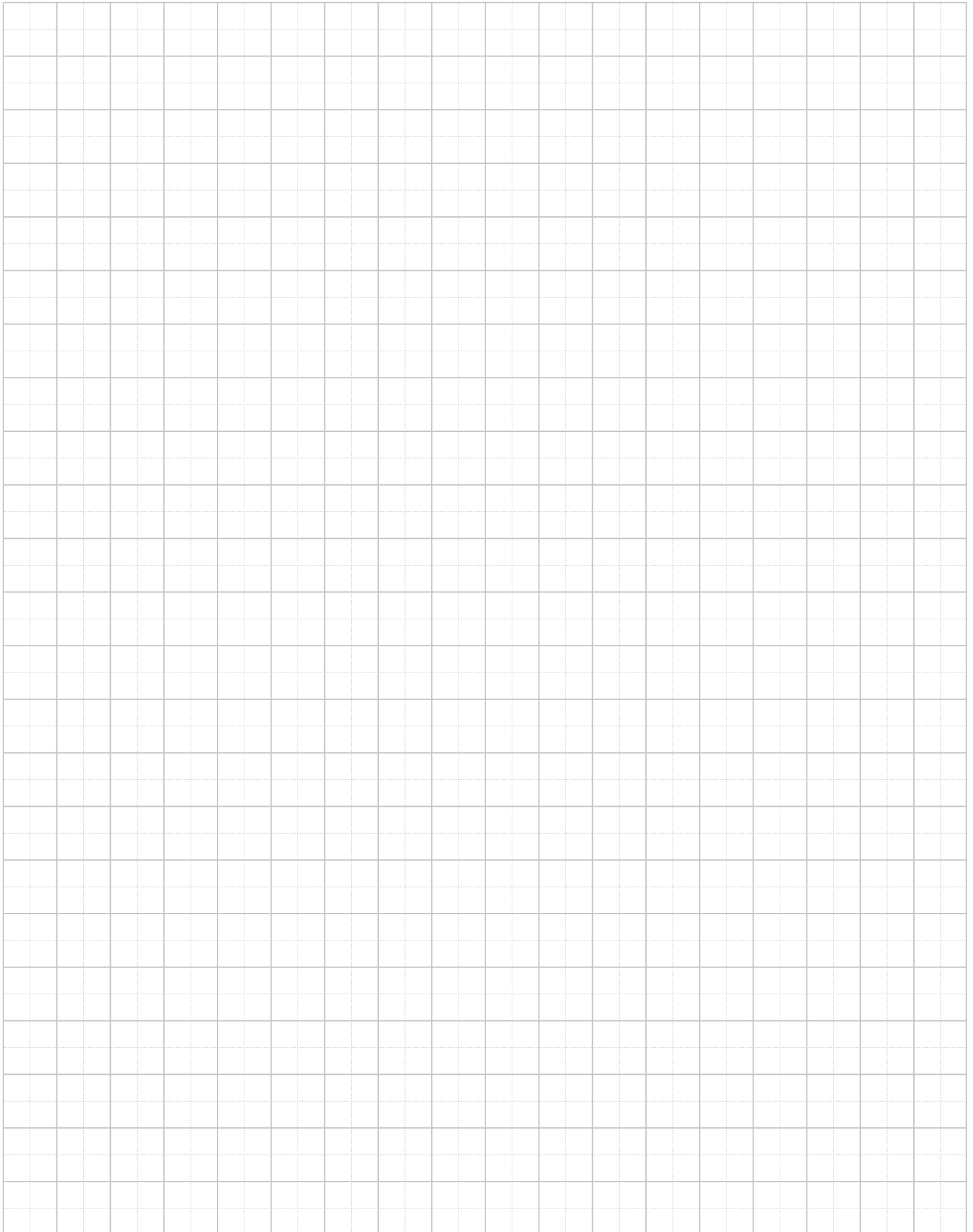
FDA = Certyfikat wydany przez „Amerykańską Agencję ds. Żywności i Leków” („US Food and Drug Administration“)

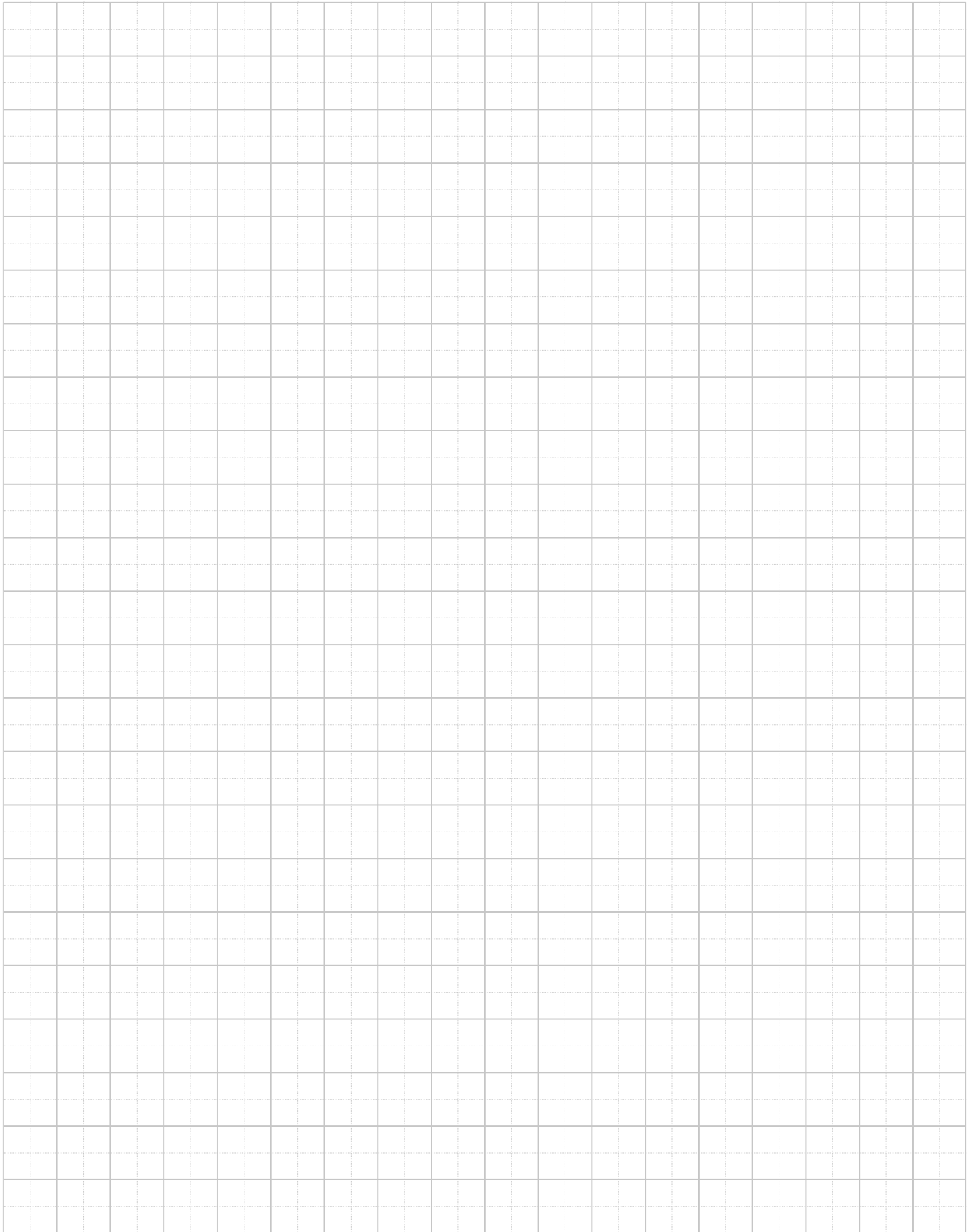
Technical Information for Gaskets					
TITLE	SILICON (VMQ silicon rubber)	EPDM (ethylene- propylene-diene rubber)	VITON (FPM fluorine rubber)	PERBUNAN (NBR nitrile rubber)	PTFE (polytetrafluorethylene)
TEMPERATURE OF USE	It is stable in water up to 100°C  Possibility of sterilisation by steam short-term up to 120°C to 130°C	Permanent operating use from 40°C to +140°C  Possibility of sterilisation by steam up to 130°C	Permanent operating use from 20°C to +200 °C  Possibility of sterilisation by steam short-term up to 130°C to 140°C	Permanent operating use from 25°C to +110 °C  Possibility of sterilisation by steam short-term up to 130°C	Up to +200°C it is physiologically harmless, use from 200°C to +260°C
RECOMMENDED USE	High temperature load capacity.  It has good resistance to cold, suitable for food, it has dielectric properties.  It has good resistance to alcohols.	It has good resistance to swelling for:  - Diluted inorganic and organic acids, media, oxidising media, lyes, and ketones  - Hot water and steam up to 130°C	It has good resistance to swelling for:  • Mineral oils • Plant and animal oils • Lubricants (also some additives) • Fuels	It has good resistance to swelling for:  • Aliphatic hydrocarbons (such as propane, butane, benzene, mineral oil)  • Lubricants based on mineral oil	It has good resistance to swelling in almost all parts It has a smooth and repellent surface so sticking does not occur  It has better chemical resistance than in all other elastomers Non-flammable material
LIMITED USE (BORDER)	Shows high swelling for:  • Low-molecular esters and ethers  • Aliphatic and aromatic hydrocarbons  • Concentrated acids and alkali	Cannot be used for:  • Plant and animal oils  • Aliphatic, aromatic, and chlorinated hydrocarbons  • Mineral oils	Shows high swelling for:  • Polar solvents, such as acetone, methyl ketone, ethyl acetate, diethyl ether, and dioxane  • Low-molecular organic acids (formic acid and acetic acid)  • Gaseous ammonia, amines and alkanes  • Overheated water steam	Not resistant to:  • Polar solvents • Chlorinated hydrocarbons • Ketones • Aromatic hydrocarbons (benzol)  • Esters	Not resistant to:  • Liquid alkaline metals and some compounds of fluorine in connection with higher pressure and temperature  The material does not show the flexibility of rubber.
MATERIAL APPROVAL	BGA/FDA	BGA/FDA	BGA/FDA	BGA/FDA	BGA/FDA

BGA = approval of the "Federal Health Authority" in Germany ("Bundesgesundheitsamt")  
 FDA = approval of the "US Food and Drug Administration"

A large, empty grid area for taking notes, consisting of a 20x20 grid of squares. Each square is defined by a solid outer line and a dotted inner line, creating a double-line grid pattern.



A large, empty grid of small squares, typical of a notebook page, intended for taking notes. The grid consists of approximately 20 columns and 30 rows of squares.

A large, empty grid area for taking notes, consisting of a 20x20 grid of squares. Each square is further divided into a 5x5 sub-grid by dotted lines, creating a fine-grained grid for writing.

DODATKOWO W NASZYM ASORTYMENTCIE ZNAJDĄ PAŃSTWO:

- Włazy kwasoodporne
- Rury kwasoodporne bezszwowe
- Rury kwasoodporne spawane
- Kolana kwasoodporne
- Kołnierze kwasoodporne
- Kształtowniki kwasoodporne
- Redukcje kwasoodporne
- Tuleje kwasoodporne
- Złączki oraz zawory kwasoodporne.

Zapraszamy do kontaktu!

**Adres:**

Cromo-Stal Sp. z o.o.  
ul. Pod Młynem 19  
40-313 Katowice  
NIP 634-272-63-58

**Dział handlowy:**

tel.: 32 200 00 40  
tel.: 32 630 50 30

**Kontakt**

email: bok@cromostal.pl

Pełną naszą ofertę znajdą Państwo na stronie:

[www.cromostal.pl](http://www.cromostal.pl)

